



® 4242 Baldwin Boulevard
 Corpus Christi, Texas
 USA 78405-3399
 Tel: 800-531-3111, 361-888-5591
 Fax: 800-531-3108, 361-888-6510
 www.hortondoors.com
 The Automatic Choice

ARCHITECTURAL DETAILS

AUTOMATIC COMMERCIAL SLIDE DOORS

ProSlide® Series 2003 Belt Drive
 Type: 010 Dual Single Slide X-O-X

A3.6
 July 11

Standard Packages

Unit Width	Slide Openings	Slide Panel Widths	Combined Sidelite Width	Rough Opening Width
14'-0" (4267)	3'-0" (914)	3'-6" (1067)	7'-1 1/2" (2172)	14'-0 1/2" (4280)
16'-0" (4877)	3'-6" (1067)	4'-0" (1219)	8'-1 1/2" (2451)	16'-0 1/2" (4877)

Unit Height: 7'-6" (2286) **Rough Opening Height:** 7'-6 1/4" (2292)
Glazing: Standard unit prep'd for 1/4" (6) glass. Glass by others.
Threshold: 1/2" (13) tall x 4" (102) wide (See page A5.3).
Anodized Finish: Clear or Dark Bronze

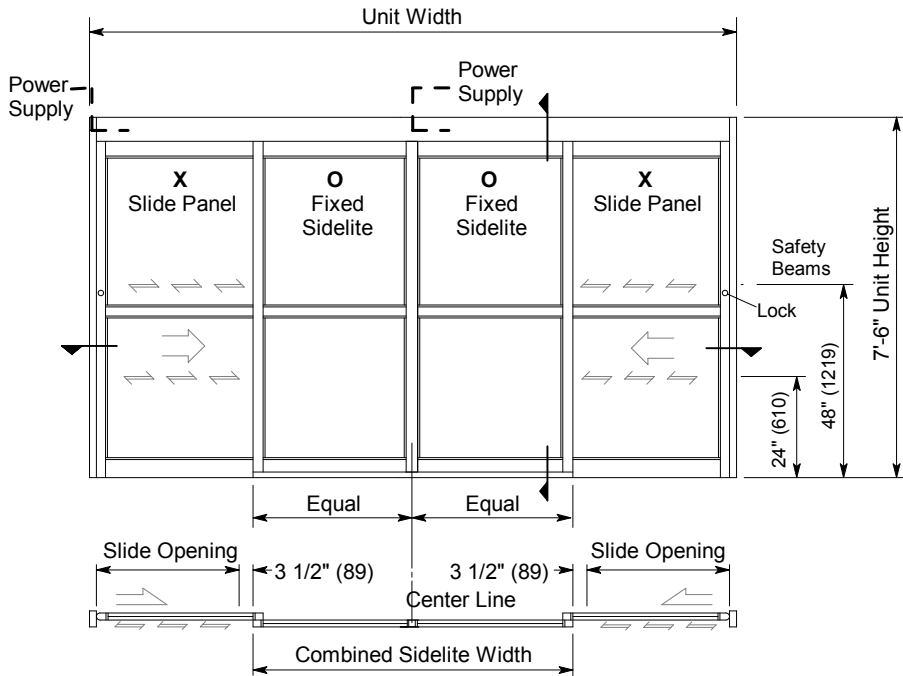
Options

- Custom unit widths between 14'-0" & 16'-0".
- Custom unit height to 8'-6".
- Custom mid-rails, bottom rails and jambs.
- Transom.
- Medium or wide stile construction (slide opening will be reduced).
- Custom anodized or paint finish or stainless steel cladding

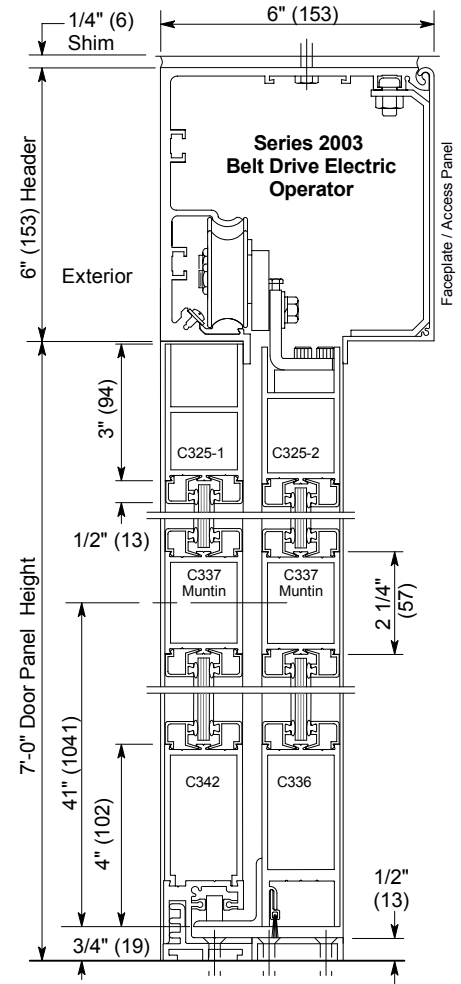
See details for options starting on p. A5.0 and Architectural Specifications on p. A7.0.

Installation and Operation

- Door perimeter mounted within rough opening with 1/4" minimum shim space at header & jambs. Finish floor not to exceed 1/4" out of level. (See page A.3)
- Electrical: Provide 120 VAC, 60 cycle, single phase, 15 amp service (in conduit) to each unit on dedicated 20 amp circuit breaker routed to header. Maximum current draw is 3.15 amps.
- Door actuated with header mounted motion sensors at interior and exterior (over each slide opening) for detection of traffic in each direction. Door closes after time delay expires. (See page A.4). Unit can also be set up for 1-way traffic thru each slide opening.
- Manual Locking: Exterior keylock and interior thumbturn provided at vertical strike rail. (Optional fail-safe or fail-secure autolock)

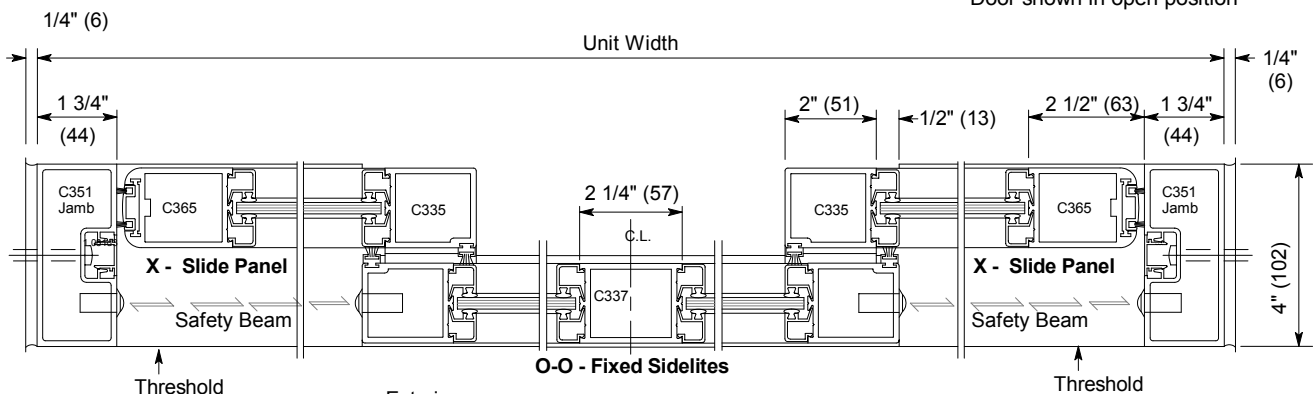


Exterior Elevation and Floor Plan



Vertical Section

Door shown in open position



Horizontal Section