



® 4242 Baldwin Boulevard
 Corpus Christi, Texas
 USA 78405-3399
 Tel: 800-531-3111, 361-888-5591
 Fax: 800-531-3108, 361-888-6510
 www.hortondoors.com
 The Automatic Choice

ARCHITECTURAL DETAILS

AUTOMATIC COMMERCIAL SLIDE DOORS

ProSlide® Telescoping Series 2003T

A3.25

Type: 010T Biparting P-X-X-X-P Surface Applied

Aug 18

Standard Packages

Unit Width	Slide Opening	Wall Opening Width	Fast Slide Panel Width	Slow Slide Panel Width
9'-0" (2743)	4'- 1 1/2" (1105)	5'- 2 1/2" (1588)	1'- 6 1/4" (464)	1'- 5 3/4" (451)
10'-0" (3048)	4'- 9 1/2" (1308)	5'-10 1/2" (1791)	1'- 8 1/4" (514)	1'- 7 3/4" (501)
12'-0" (3658)	6'- 1 1/2" (1511)	7'- 2 1/2" (2197)	2'- 1/4" (616)	1'-11 3/4" (603)
14'-0" (4267)	7'- 5 1/2" (1715)	8'- 6 1/2" (2604)	2'- 4 1/4" (718)	2'- 3 3/4" (705)
16'-0" (4877)	8'- 9 1/2" (2121)	9'-10 1/2" (3264)	2'- 8 1/4" (819)	2'- 7 3/4" (806)
18'-0" (5486)	10'- 1 1/2" (3086)	11'- 2 1/2" (3416)	3'- 0 1/4" (921)	2'-11 3/4" (832)

Unit Height: 7'-6" (2286)
Anodized Finish: Clear or Dark Bronze
Glazing: Standard unit prep'd for 1/4" (6) glass. Glass by others.

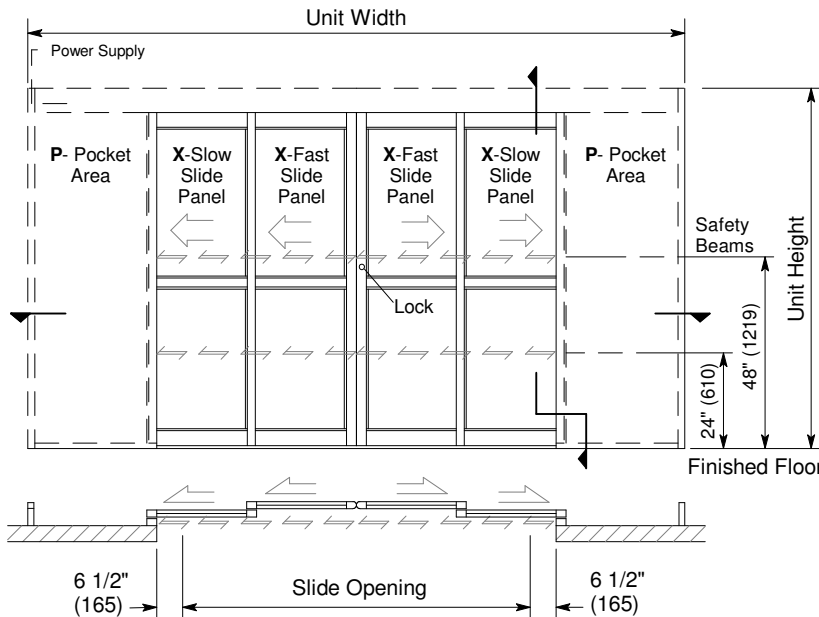
Options

- Custom unit widths between 9'-0" & 18'-0".
- Custom mid-rails, bottom rails and jambs.
- Threshold.
- Medium or wide stile construction (slide opening will be reduced).
- Custom anodized or paint finish or stainless steel cladding

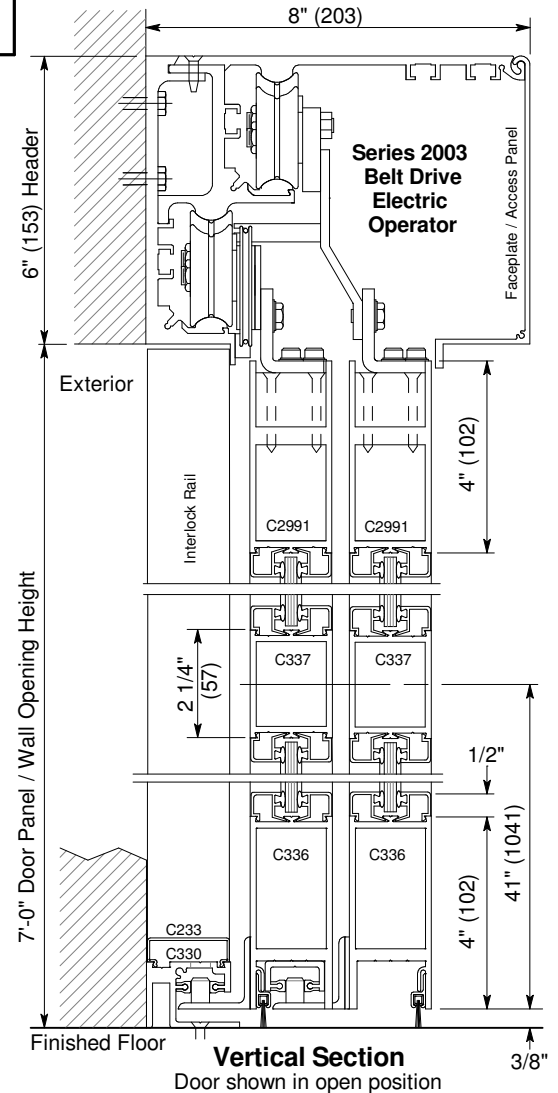
See details for options starting on p. A5.0 and Architectural Specifications on p. A7.8.

Installation and Operation

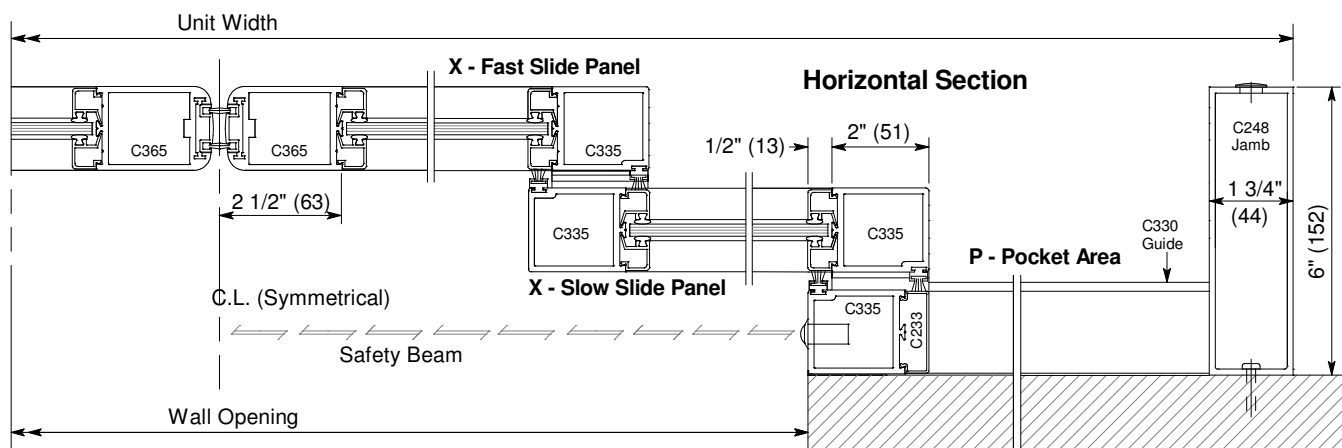
- Door unit is surface mounted onto interior of finished wall. Finish floor not to exceed 1/4" out of level. (See page A.3)
- Electrical: Provide 120 VAC, 60 cycle, single phase, 15 amp service (in conduit) to each unit on dedicated 20 amp circuit breaker routed to header. Maximum current draw is 3.15 amps.
- Door actuated with motion sensor mounted over door opening at interior and exterior for detection of traffic in each direction. Door closes after time delay expires.
- Manual Locking: Exterior keylock and interior thumbturn provided at vertical strike rail.



Exterior Elevation and Floor Plan



Vertical Section
 Door shown in open position



Horizontal Section