

Standard Packages

Unit Width	Slide Opening	Slide Panel Width	Sidelite Width	Rough Opening Width
7'-0" (2134)	3'-0" (914)	3'-6" (1067)	3'-5" (1041)	7'-0 1/2" (2146)
8'-0" (2438)	3'-6" (1067)	4'-0" (1219)	3'-11" (1194)	8'-0 1/2" (2451)
8'-6" (2591)	3'-9" (1143)	4'-3" (1295)	4'-2" (1270)	8'-6 1/2" (2604)
9'-0" (2743)	4'-0" (1219)	4'-6" (1372)	4'-5" (1346)	9'-0 1/2" (2756)

Unit Height: 7'-8" (2337)	Rough Opening Height: 7'-8 1/4" (2350)	Anodized Finish: Clear or Dark Bronze
Glazing: Standard unit prep'd for 1/4" (6) glass. Glass by others.		
Threshold: 1/2" (13) tall x 4" wide (See page A5.3).		

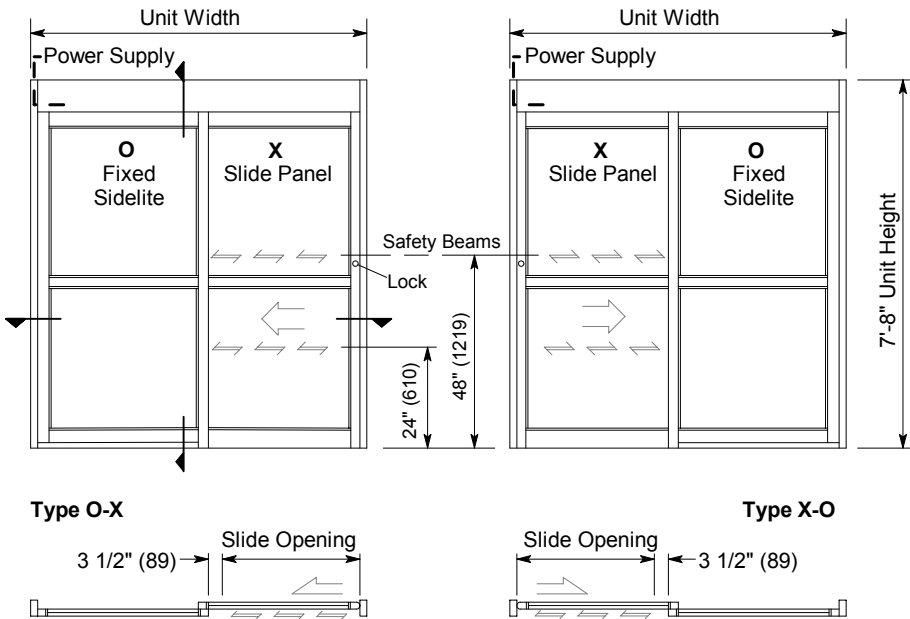
Options

- Custom unit widths between 7'-0" & 9'-0".
- Custom unit height to 8'-8".
- Custom mid-rails, bottom rails and jambs.
- Transom, additional or extra wide sidelite.
- Medium or wide stile construction (slide opening will be reduced).
- Custom anodized or paint finish or stainless steel cladding

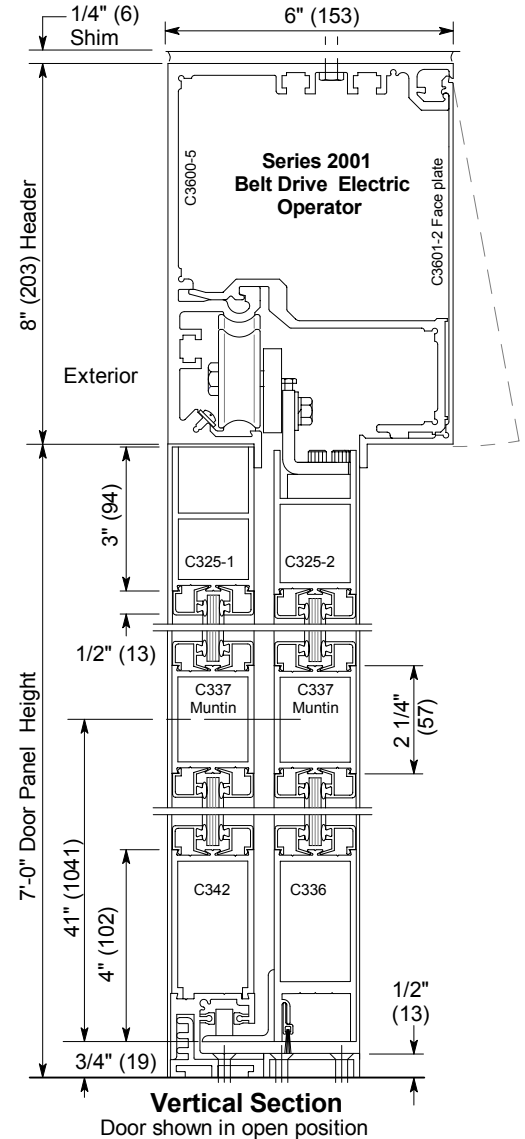
See Architectural Specifications on p. A8.0 and Specification Details starting on p. A5.0.

Installation and Operation

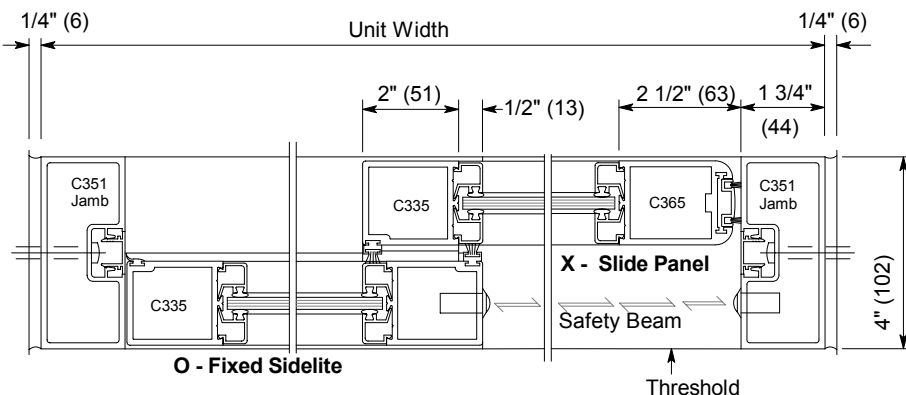
- Door perimeter mounted within rough opening with 1/4" minimum shim space at header & jambs. Finish floor not to exceed 1/4" out of level. (See page A.3)
- Electrical: Provide 120 VAC, 60 cycle, single phase, 15 amp service (in conduit) to each unit on dedicated 20 amp circuit breaker routed to header. Maximum current draw is 3.15 amps.
- Door actuated with header mounted motion sensor at interior and exterior for detection of traffic in each direction. Door closes after time delay expires. (See page A.4)
- Manual Locking: Exterior keylock and interior thumbturn provided at vertical strike rail. (Optional fail-safe or fail-secure autolock)



Exterior Elevations and Floor Plans



Vertical Section
Door shown in open position



Horizontal Section
Type O-X shown, X-O opposite