



® 4242 Baldwin Boulevard
 Corpus Christi, Texas
 USA 78405-3399
 Tel: 800-531-3111, 361-888-5591
 Fax: 800-531-3108, 361-888-6510
 www.hortondoors.com
 The Automatic Choice

ARCHITECTURAL DETAILS

AUTOMATIC COMMERCIAL SLIDE DOORS

HD-Slide® Series 2500 Elegant®

A4.17a

Type: 010 Single Slide P-X-X-P

July 17

Standard Packages

Unit Width	Slide / Wall Opening	Slide Panel Width
9'-0" (2743)	3'-10" (1168)	2' - 1 1/2" (648)
10'-0" (3048)	4' - 4" (1321)	2' - 4 1/2" (724)
12'-0" (3658)	5' - 4" (1627)	2'-10 1/2" (876)
14'-0" (4280)	6' - 4" (1930)	3' - 4 1/2" (1029)

Unit Height: 7'-8" (2337) **Threshold:** 1/2" tall x 4" wide (See p. A5.3).
Glazing: Standard unit provided with 1/2" (6) clear tempered glass.
Anodized Finish: Clear or Dark Bronze

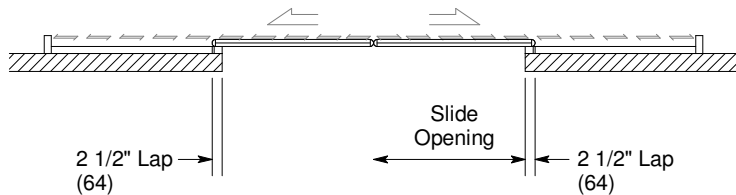
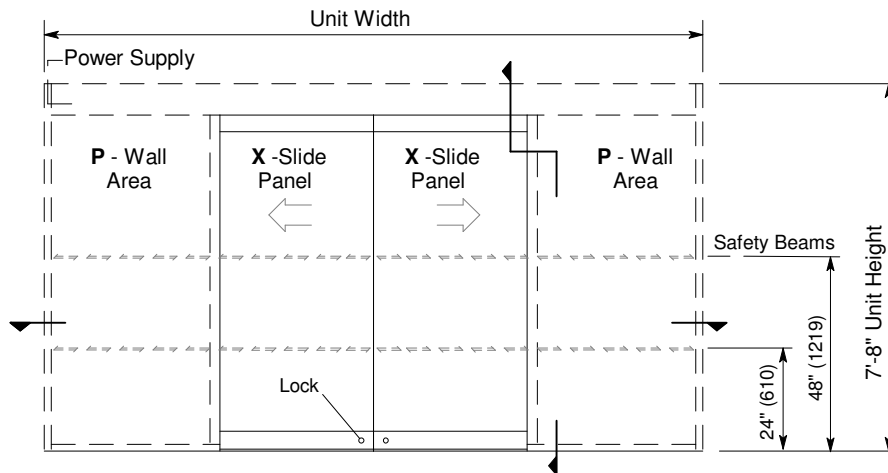
Options

- Custom unit widths between 9'-0" & 14'-0".
- Custom bottom rails and jambs.
- Tinted Grey or Bronze glass.
- Transom or extra wide sidelite.
- Custom anodized or paint finish or stainless steel cladding

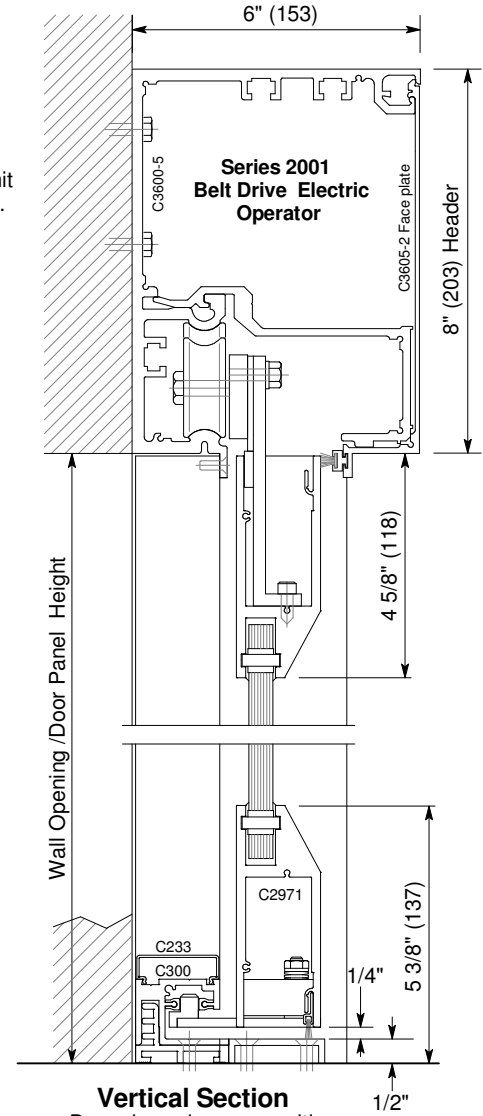
See Architectural Specifications on p. A8e.0 and Specification Details starting on p. A5.0.

Installation and Operation

- Door surface mounted onto interior of finished wall. Finish floor not to exceed 1/4" out of level. (See page A.3)
- Electrical: Provide 120 VAC, 60 cycle, single phase, 15 amp service (in conduit) to each unit on dedicated 20 amp circuit breaker routed to header. Maximum current draw is 3.15 amps.
- Door actuated with header mounted motion sensor at interior and exterior for detection of traffic in each direction. Door closes after time delay expires. (See page A.4)
- Manual Locking: Exterior keylock into threshold provided at bottom rail. (Optional fail-safe or fail-secure autolock)

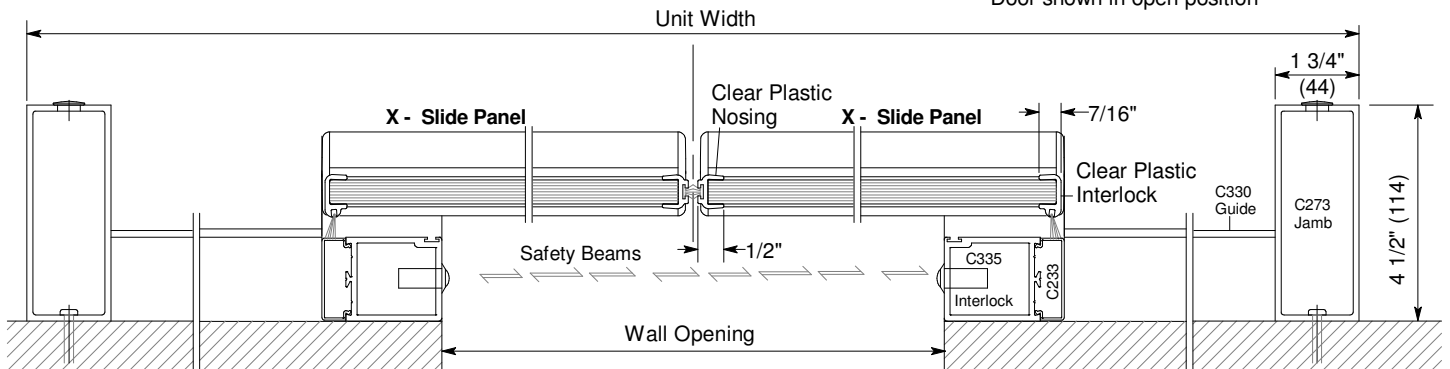


Exterior Elevation and Floor Plan



Vertical Section

Door shown in open position



Horizontal Section