



® 4242 Baldwin Boulevard
 Corpus Christi, Texas
 USA 78405-3399
 Tel: 800-531-3111, 361-888-5591
 Fax: 800-531-3108, 361-888-6510
 www.hortondoors.com
 The Automatic Choice

ARCHITECTURAL DETAILS

MANUAL SLIDE DOORS - ICU / CCU

Profiler-ICU® Telescoping

A10.4.2

Type: 110 Single O-X-SX or SX-X-O

Nov 16

Standard Packages

Unit Width	Slide Opening	Breakout Opening	Slide/Swing Panel Width	Slide Panel Width	Sidelite Width	Rough Opening Width
7'-0" (2134)	4' - 2" (1270)	2'-1 1/2" (648)	2'-4" (711)	2'- 3 1/2" (699)	2'- 6" (762)	7'-0 1/2" (2146)
8'-0" (2438)	4'-10" (1473)	2'-5 1/2" (749)	2'-8" (813)	2'- 7 1/2" (800)	2'-10" (864)	8'-0 1/2" (2451)
9'-0" (2743)	5' - 6" (1676)	2'-9 1/2" (927)	3'-0" (914)	2'-11 1/2" (902)	3'- 2" (965)	9'-0 1/2" (2756)
10'-0" (3150)	6' - 2" (1879)	3'-1 1/2" (952)	3'-4" (1016)	3'- 3 1/2" (1003)	3'- 6" (1067)	10'-0 1/2" (3061)
11'-0" (3353)	6'-10" (2083)	3'-5 1/2" (1054)	3'-8" (1118)	3'- 7 1/2" (1105)	3'-10" (1168)	11'-0 1/2" (3353)
12'-0" (3658)	7' - 6" (2286)	3'-9 1/2" (1232)	4'-0" (1219)	3'-11 1/2" (1207)	4'- 2" (1270)	12'-0 1/2" (3670)

Unit Height: 7'-2 1/2" (2197) **Rough Opening Height:** 7'-2 3/4" (2203)

Glazing: Standard unit prep'd for 1/4" (6) glazing.

Anodized Finish: Clear or Dark Bronze

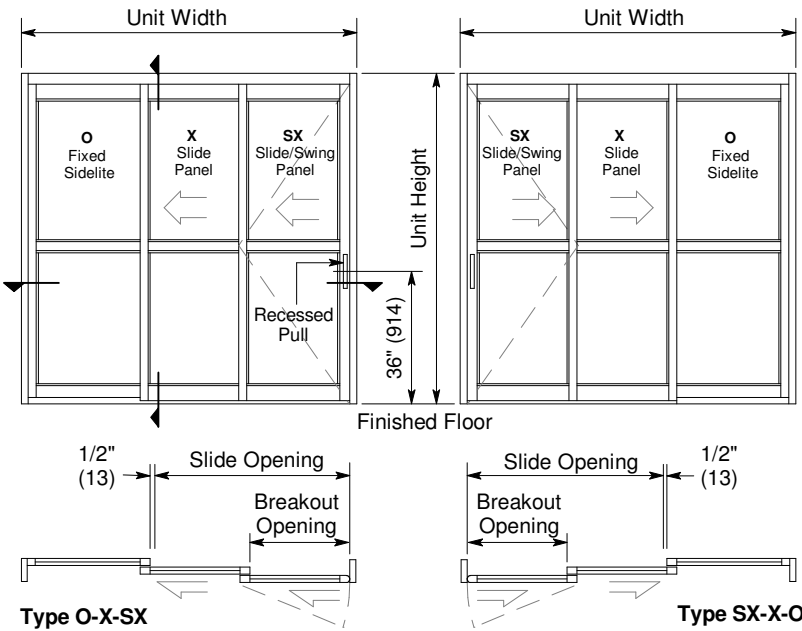
Options

- Positive Latching (p.A11.1)
- Custom unit widths between 7'-0" & 12'-0".
- Custom unit height to 8'-2 1/2".
- Custom mid-rails & bottom rails (A5.4) and jambs (p.A5.2).
- Medium stile construction (slide opening reduced by 1").
- Wide stile construction (slide opening reduced by 2 1/4").
- Custom anodized or paint finish or stainless steel cladding.
- Custom glazing from 5/8" to 1" (p.A5.5).

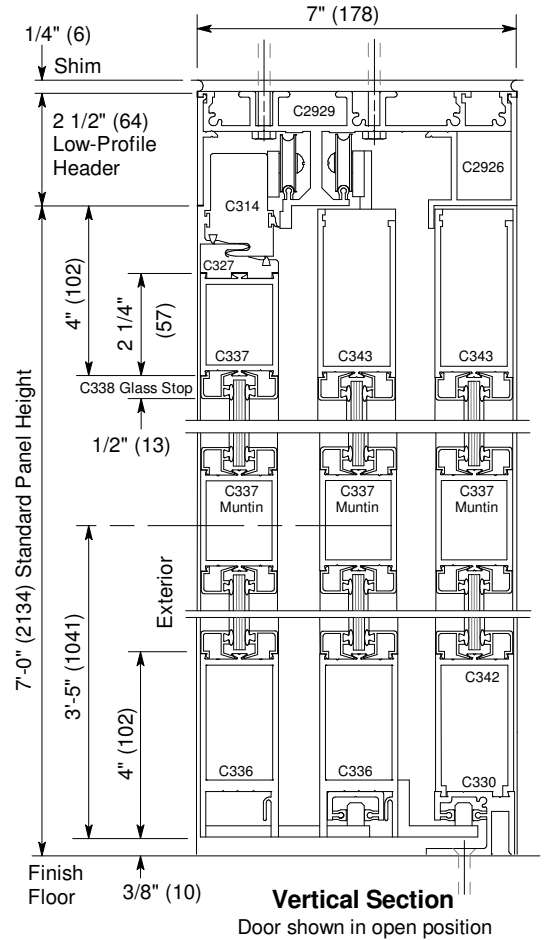
Installation and Operation

- Door perimeter mounted within curtainwall or rough opening with 1/4" minimum shim space at header & jambs. Finish floor not to exceed 1/4" out of level (See p. A9.2).
- Sliding panel rolls on nylon covered track at header for quiet, smooth, anti-friction operation.
- Standard sliding panels glazed with 1/4" tempered glass (shown) can be opened with 8 to 12 lbs of force. Slide/Swing panel (SX) can swing out min.90° at full open position requiring no more than 50 lbs of force applied at the strike stile.

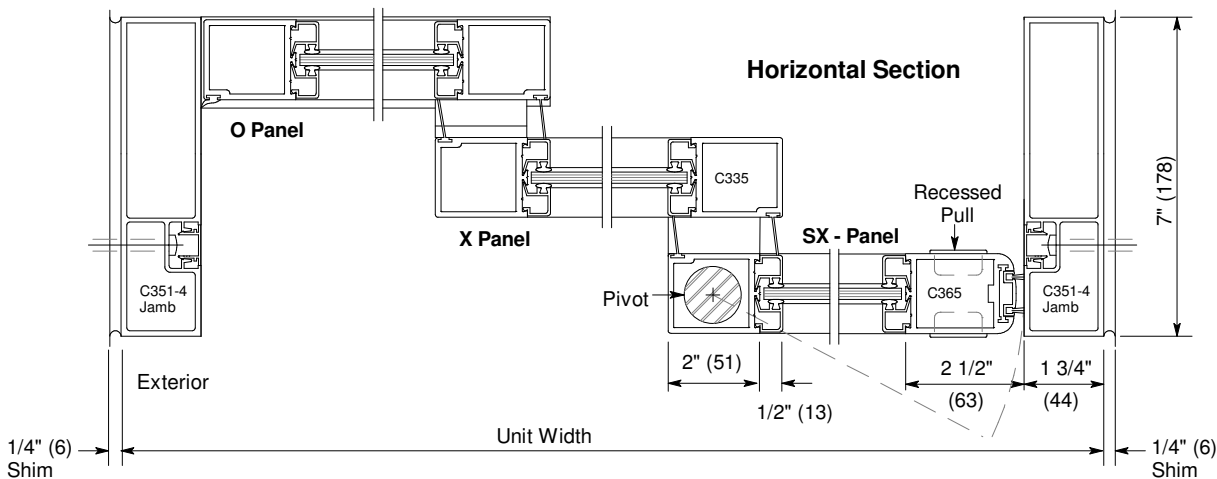
For Architectural Specifications see pages A12.0 thru A12.3.



Exterior Elevations and Floor Plans



Vertical Section
Door shown in open position



Horizontal Section