



® 4242 Baldwin Boulevard
 Corpus Christi, Texas
 USA 78405-3399
 Tel: 800-531-3111, 361-888-5591
 Fax: 800-531-3108, 361-888-6510
 www.hortondoors.com
 The Automatic Choice

ARCHITECTURAL DETAILS

MANUAL DOORS - ICU / CCU

ICU Bi-Swing™

A10.11

Type: Single RHR / RH or LHR / LH

Jan 08

Standard Packages

Unit Width	Panel Width	Panels Reach	Swing Opening	Rough Opening Width
3'- 4 1/2" (1029)	3'-0" (914)	2'-7" (787)	2'-8 3/8" (822)	3'- 5" (1041)
3'-10 1/2" (1181)	3'-6" (1067)	3'-1" (940)	3'-2 3/8" (975)	3'-11" (1194)
Unit Height: 7'-1 3/4" (2178), Rough Opening Height: 7'-2" (2184) Glazing: Standard unit prep'd for 1/4" (6) glazing.				Anodized Finish: Clear or Dark Bronze

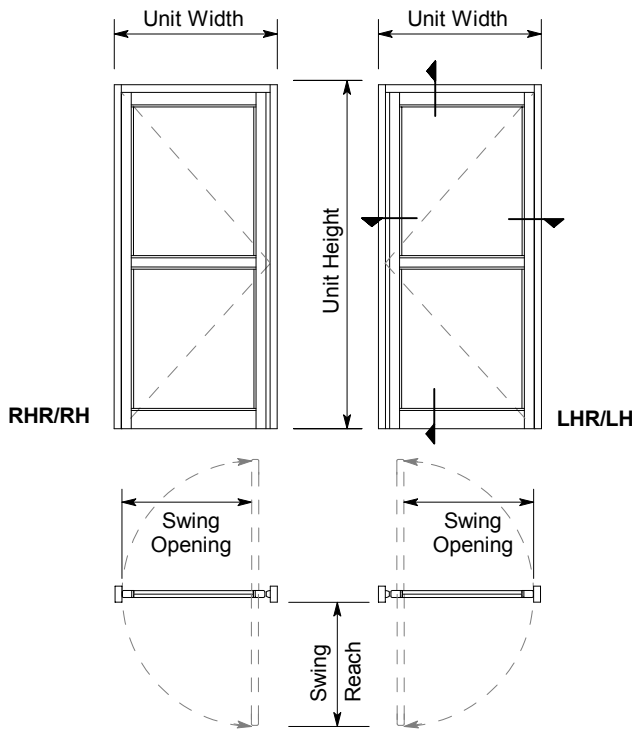
Options

- Hold-Open Closer
- 6" (152) Header
- Medium & Wide Stile Rails
- Pull Handle
- Push Bar in lieu of Muntin Bar
- Custom Glazing, Finishes and Sizes

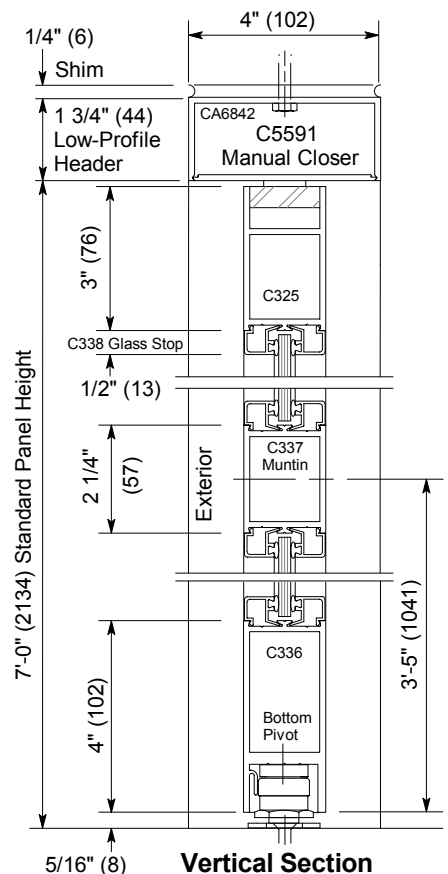
For standard and optional equipment details see Arch. Specs., page A15.0, and Spec. Details on pages A11.3.

Installation and Operation

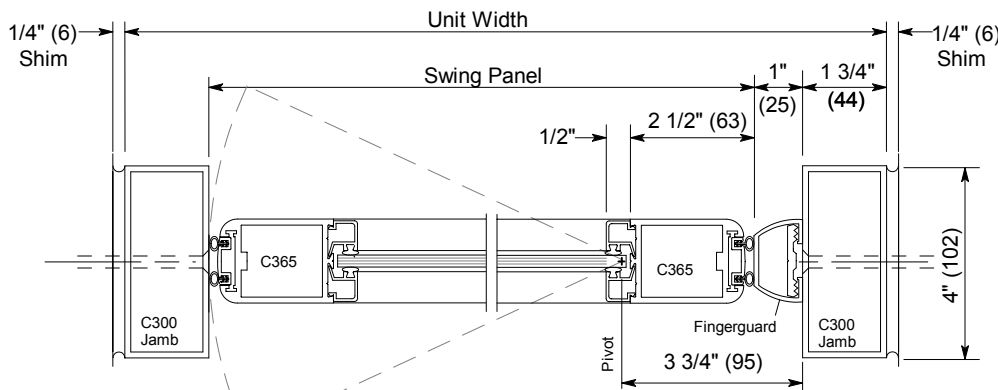
- Door perimeter mounted within curtainwall or rough opening with 1/4" minimum shim space at header & jambs. Finish floor not to exceed 1/4" out of level. (See page A9.1)
- Swing panel equipped with overhead concealed double-acting door closer.
- Standard panel glazed with 1/4" tempered glass (shown) can be opened with 4 to 6 lbs of force.



Exterior Elevations and Floor Plans



Vertical Section
 Door shown in open position



Horizontal Section
 LRH/LH shown. RHR/RH opposite.

Horton Automatics reserves the right to improve the product and change its specifications without notice. Dimensions given in U.S. Inches followed by Millimeters in parenthesis.