



® 4242 Baldwin Boulevard  
 Corpus Christi, Texas  
 USA 78405-3399  
 Tel: 800-531-3111, 361-888-5591  
 Fax: 800-531-3108, 361-888-6510  
 www.hortondoors.com  
 The Automatic Choice

# ARCHITECTURAL DETAILS

## MANUAL SLIDE DOORS - ICU / CCU

**Profiler-ICU® Telescoping Trackless**  
 Type: 310T SO-SX-SX-SX-SO

A10.13.1

June 18

### Standard Packages

Unit Width	Slide Opening	Breakout Opening	1st Slide/Swing Panel Width	2nd Slide/Swing Panel Width	Sidelite Width	Rough Opening Width
8'-0" (2438)	3'-9 3/4" (1162)	6'-5 1/2" (1969)	1'- 4 1/2" (419)	1'- 4" (406)	1'- 6 3/4" (476)	8'-0 1/2" (2451)
9'-0" (2743)	4'-5 3/4" (1365)	7'-5 1/2" (2273)	1'- 6 1/2" (470)	1'- 6" (457)	1'- 8 3/4" (527)	9'-0 1/2" (2756)
10'-0" (3150)	5'-1 3/4" (1568)	8'-5 1/2" (2578)	1'- 8 1/2" (521)	1'- 8" (508)	1'-10 3/4" (578)	10'-0 1/2" (3061)
11'-0" (3353)	5'-9 3/4" (1772)	9'-5 1/2" (2883)	1'-10 1/2" (571)	1'-10" (559)	2'- 0 3/4" (629)	11'-0 1/2" (3353)
12'-0" (3657)	6'-5 3/4" (1975)	10'-5 1/2" (3188)	2'- 0 1/2" (622)	2'- 0" (610)	2'- 2 3/4" (679)	12'-0 1/2" (3670)

**Unit Height:** 7'-2 1/2" (2197)    **Rough Opening Height:** 7'-2 3/4" (2203)  
**Glazing:** Standard unit prep'd for 1/4" (6) glazing.

**Anodized Finish:**  
 Clear or Dark Bronze

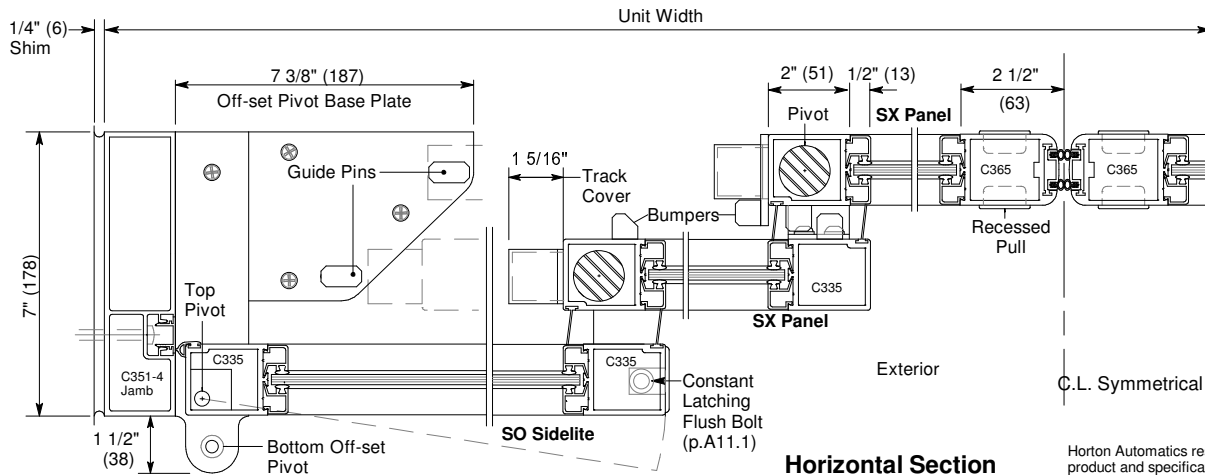
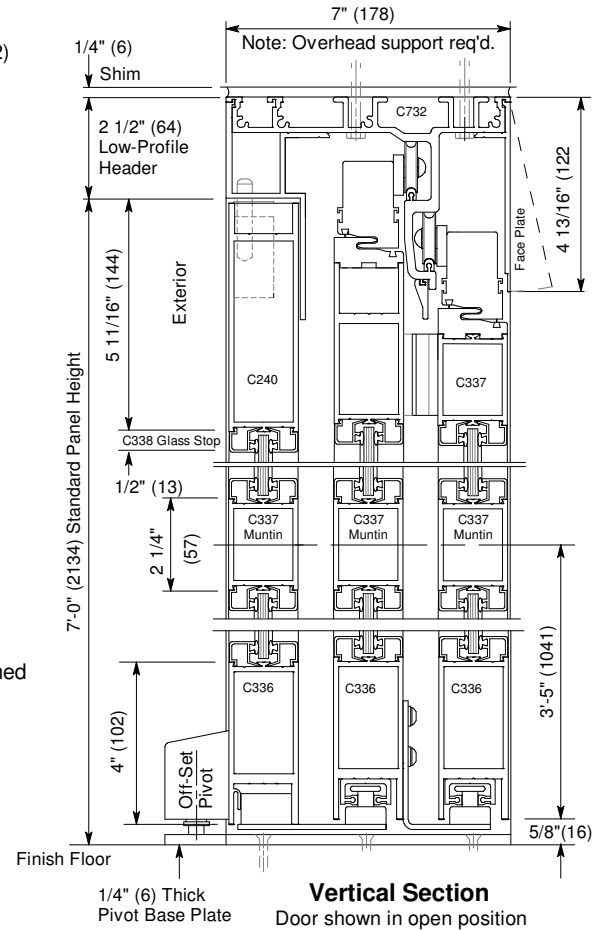
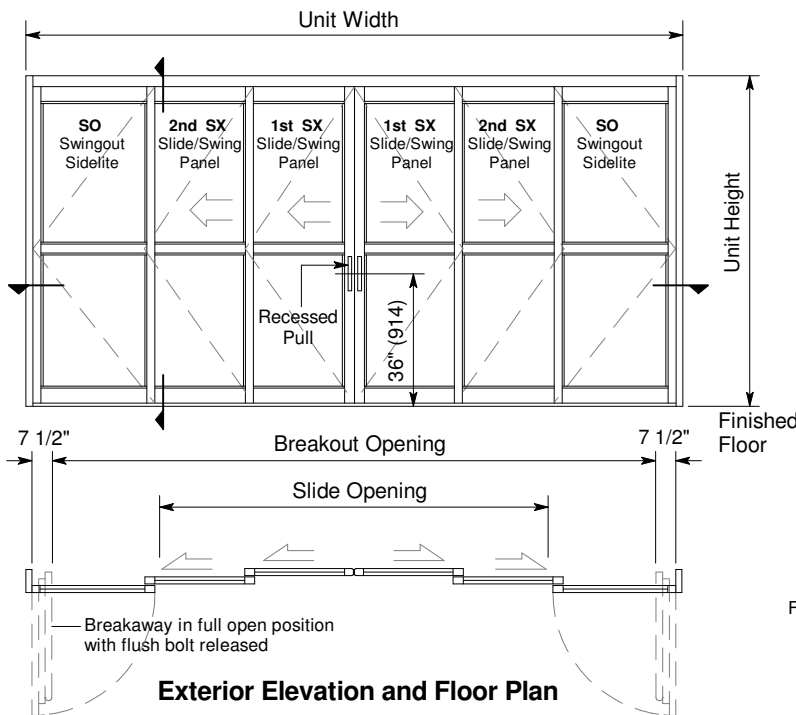
### Options

- Positive latch (slide opening reduced by 9 1/2").
- Custom unit widths between 8'-0" & 12'-0".
- Custom unit height to 8'-2 1/2".
- Custom mid-rails, bottom rails and jambs
- Medium stile construction (slide opening reduced by 1 1/2").
- Wide stile construction (slide opening reduced by 2 3/4").
- Custom anodized or paint finish.

For Arch. Specifications see p. A12.1.

### Installation and Operation

- Door perimeter mounted within curtainwall or rough opening with 1/4" minimum shim space at header & jambs. Finish floor not to exceed 1/4" out of level. (See page A9.2)
- Sliding panels roll on nylon covered track at header for quiet, smooth, anti-friction operation.
- Standard sliding panel (SX) glazed with 1/4" tempered glass (shown) can be opened with 8 to 12 lbs of force. Panels can swing out 90° at full open position requiring no more than 50 lbs of force applied at the strike stile after 'SO' flush bolt released.



Horton Automatics reserves the right to alter its product and specifications without notice. Dimensions given in U.S. inches followed by millimeters in parenthesis.