



® 4242 Baldwin Boulevard
 Corpus Christi, Texas
 USA 78405-3399
 Tel: 800-531-3111, 361-888-5591
 Fax: 800-531-3108, 361-888-6510
 www.hortondoors.com
 The Automatic Choice

ARCHITECTURAL DETAILS

MANUAL SLIDE DOORS - ICU / CCU

Profiler-ICU® Telescoping Trackless
 Type: 310T SO-SX-SX or SX-SX-SO

A10.13
 Sept 17

Standard Packages

Unit Width	Slide Opening	Breakout Opening	1st Slide/Swing Panel Width	2nd Slide/Swing Panel Width	Sidelite Width	Rough Opening Width
7'-0" (2134)	3'-9" (1143)	6'-1" (1854)	2'-4" (711)	2'-3 1/2" (699)	2'-6" (762)	7'-0 1/2" (2146)
8'-0" (2438)	4'-5" (1346)	7'-1" (2159)	2'-8" (813)	2'-7 1/2" (800)	2'-10" (864)	8'-0 1/2" (2451)
9'-0" (2743)	5'-1" (1549)	8'-1" (2464)	3'-0" (914)	2'-11 1/2" (902)	3'-2" (965)	9'-0 1/2" (2756)
10'-0" (3048)	5'-9" (1753)	9'-1" (2921)	3'-4" (1016)	3'-3 1/2" (1003)	3'-6" (1067)	10'-0 1/2" (3061)
11'-0" (3353)	6'-5" (1959)	10'-1" (3073)	3'-8" (1118)	3'-7 1/2" (1105)	3'-10" (1168)	11'-0 1/2" (3353)
12'-0" (3658)	7'-1" (2159)	11'-1" (3378)	4'-0" (1219)	3'-11 1/2" (1207)	4'-2" (1270)	12'-0 1/2" (3670)

Unit Height: 7'-2 1/2" (2197), **Rough Opening Height:** 7'-2 3/4" (2203)
Glazing: Standard unit prep'd for 1/4" (6) glazing.

Anodized Finish:
 Clear or Dark Bronze

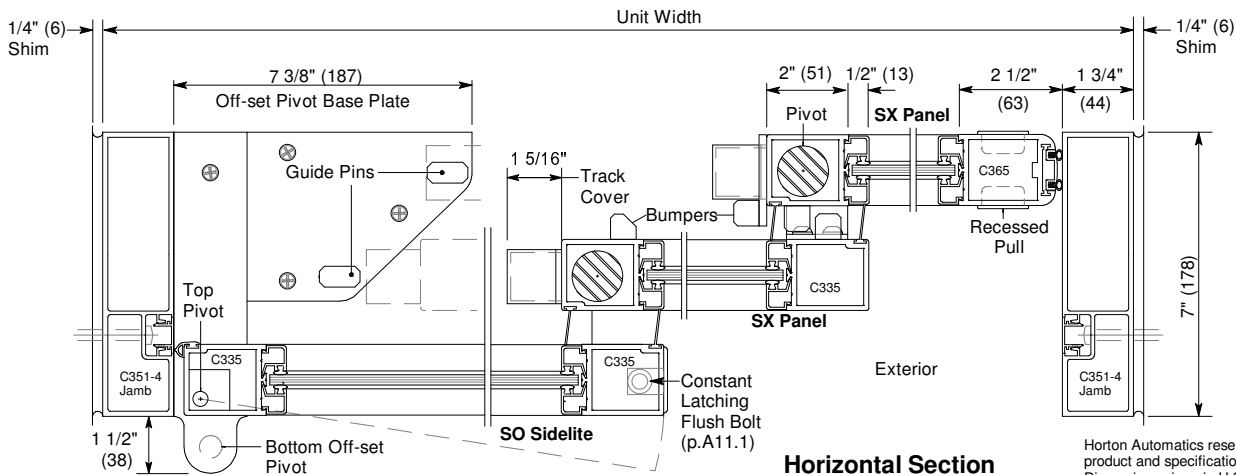
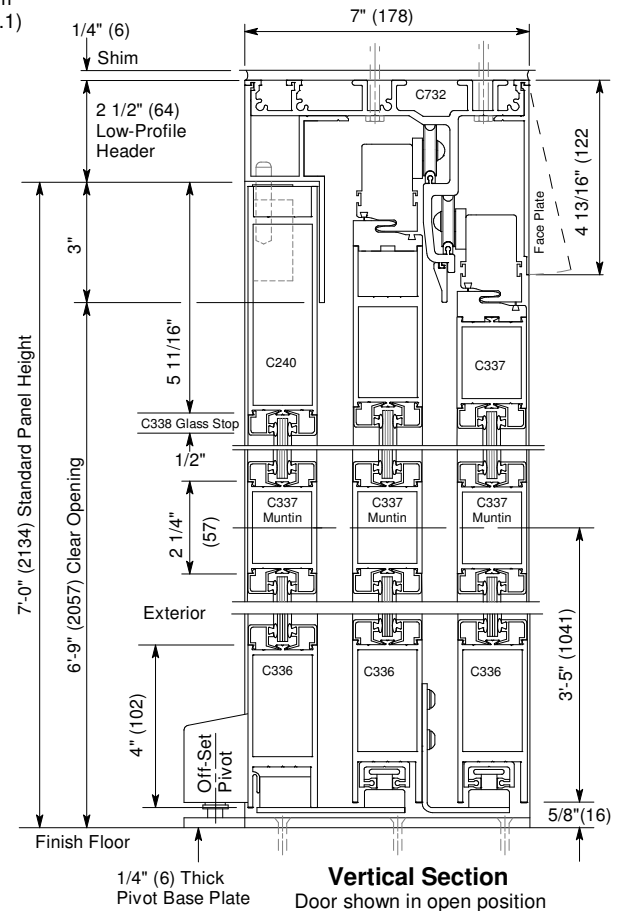
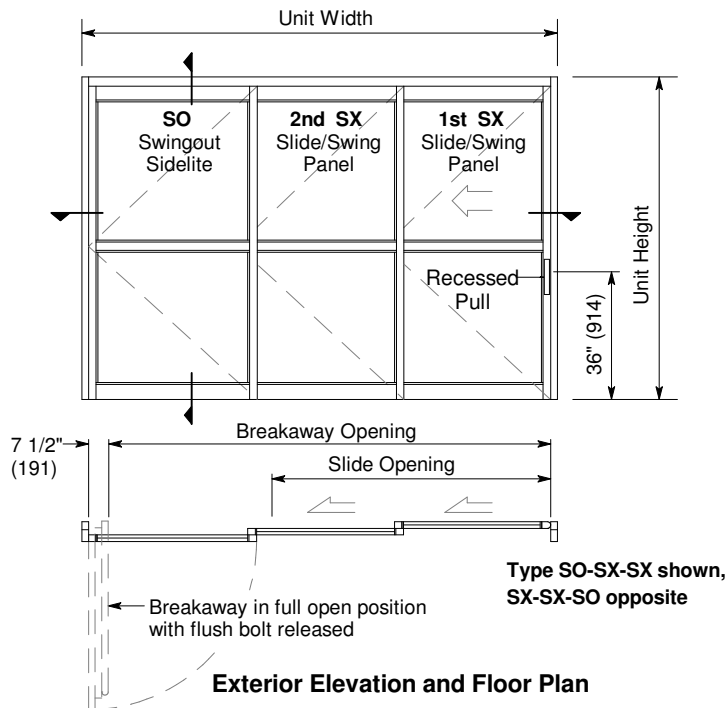
Options

- Positive latch (slide opening reduced by 4 3/4").
- Custom unit widths between 7'-0" & 12'-0".
- Custom unit height to 8'-2 1/2".
- Custom mid-rails, bottom rails and jambs
- Medium stile construction (slide opening reduced by 1").
- Wide stile construction (slide opening reduced by 2 1/4").
- Custom anodized or paint finish.

For Arch. Specifications see p. A12.1.

Installation and Operation

- Door perimeter mounted within curtainwall or rough opening with 1/4" minimum shim space at header & jambs. Finish floor not to exceed 1/4" out of level. (See page A9.1)
- Sliding panels roll on nylon covered track at header for quiet, smooth, anti-friction operation.
- Standard sliding panel (SX) glazed with 1/4" tempered glass (shown) can be opened with 15 lbs of force. Panels can swing out 90° at full open position requiring no more than 50 lbs of force applied at the strike stile after 'SO' flush bolt released



Horton Automatics reserves the right to alter its product and specifications without notice. Dimensions given in U.S. inches followed by millimeters in parenthesis.