

Standard Packages

Unit Width	Slide Opening	Breakout Opening	Slide Panel Width	Sidelite Width	Rough Opening Width
7'-0" (2134)	3'-0" (914)	3'-3 1/2" (1003)	3'-6" (1067)	3'-5" (1041)	7'-0 1/2" (2146)
8'-0" (2438)	3'-6" (1067)	3'-9 1/2" (1156)	4'-0" (1219)	3'-11" (1194)	8'-0 1/2" (2451)
8'-6" (2591)	3'-9" (1143)	4'-0 1/2" (1232)	4'-3" (1295)	4'-2" (1270)	8'-6 1/2" (2604)
9'-0" (2743)	4'-0" (1219)	4'-3 1/2" (1308)	4'-6" (1372)	4'-5" (1346)	9'-0 1/2" (2756)

Unit Height: 7'-2 1/2" (2197) Rough Opening Height: 7'-2 3/4" (2203) Glazing: Standard unit prep'd for 1/4" (6) glazing.	Anodized Finish: Clear or Dark Bronze
---	--

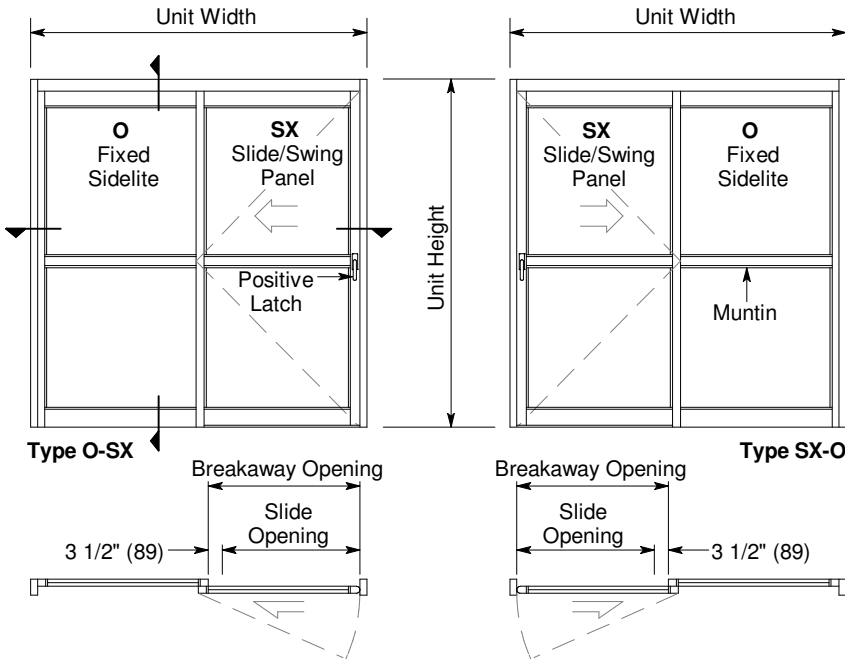
Compliant with UL 1784 - Air Leakage Test of Door Assemblies

- Gasketing material is high temperature silicone.
- Floor Smoke Seal is high temperature brush.
- All panels wet glazed with red high temperature silicone sealant at corners.
- All seals are factory installed to maintain UL 1784 rating.

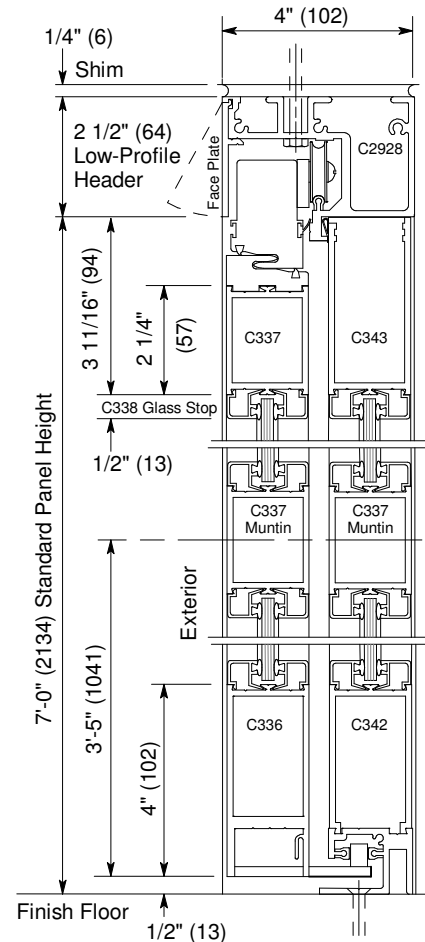
See Arch. Specifications starting on page A16.0.

Installation and Operation

- Door perimeter mounted within curtainwall or rough opening with 1/4" minimum shim space at header & jambs. Finish floor not to exceed 1/4" out of level. (See page A9.1)
- Sliding panel rolls on nylon covered track at header for quiet, smooth, anti-friction operation.
- Standard sliding panel (SX) glazed with 1/4" tempered glass (shown) can be opened with 4 to 6 lbs of force. SX panel can swing out 90° at any point of travel, after positive latch is released, requiring no more than 50 lbs of force applied at the strike stile.
- Finger Safety: When sliding open, strike rail of sliding panel will stop 3 1/2" (89) short of adjacent sidelite. Result is slide opening.

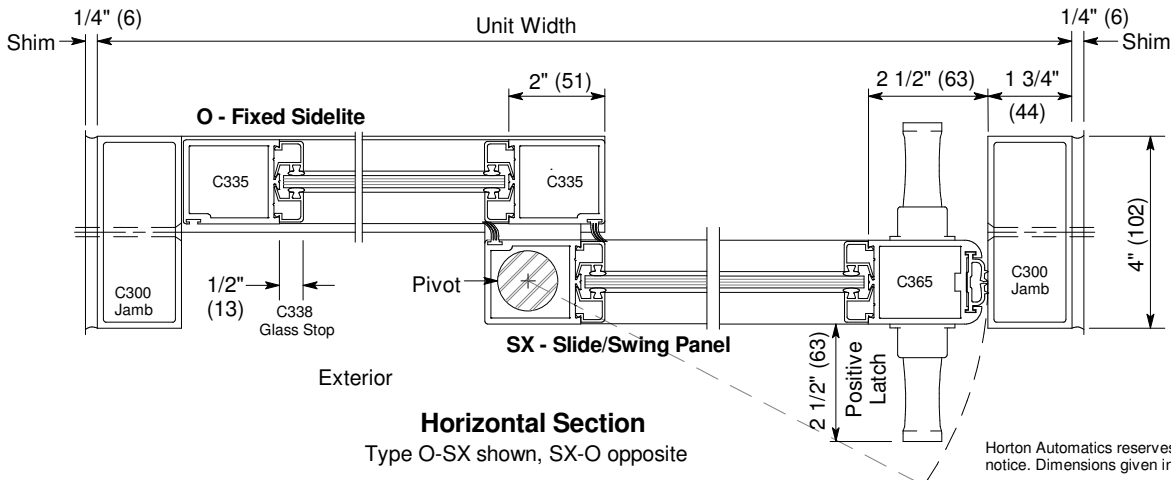


Exterior Elevations and Floor Plans



Vertical Section

Door shown in open position



Horizontal Section

Type O-SX shown, SX-O opposite