



4242 Baldwin Boulevard
 Corpus Christi, Texas
 USA 78405-3399
 Tel: 800-531-3111, 361-888-5591
 Fax: 800-531-3108, 361-888-6510
 www.hortondoors.com
 The Automatic Choice

ARCHITECTURAL DETAILS

MANUAL SLIDE DOORS - ICU / CCU

Profiler-ICU® Smoke Rated

A10.24

Type: 010 Wide Stile P-X or X-P Surface Applied

June 18

Standard Packages

Unit Width	Slide Opening	Wall Opening	Slide Panel Width
7'-6" (2286)	3'-0 1/4" (921)	3'-9" (1143)	3'-11 5/8" (1210)
8'-0" (2438)	3'-3 1/4" (997)	4'-0" (1219)	4'-2 5/8" (1286)
8'-6" (2591)	3'-6 1/4" (1073)	4'-3" (1295)	4'-5 5/8" (1362)
9'-0" (2743)	3'-9 1/4" (1149)	4'-6" (1372)	4'-8 5/8" (1381)
10'-0" (2743)	4'-3 1/4" (1149)	5'-0" (1524)	5'-2 5/8" (1591)
11'-3 1/8" (3432)	5'-1 9/16" (1563)	5'-10 5/16" (1786)	6'-0 15/16" (1853)

Unit Height: 7'-2 1/2" (2197),
Wall Opening Height: 7'-0" (2134)
Glazing: Standard unit prep'd for 1/4" (6) glazing.

Anodized Finish:
 Clear or Dark Bronze

Compliant with:

- UL 1784 Air Leakage Test of Door Assemblies
- NFPA 105 Standard for Installation of Smoke Door Assemblies

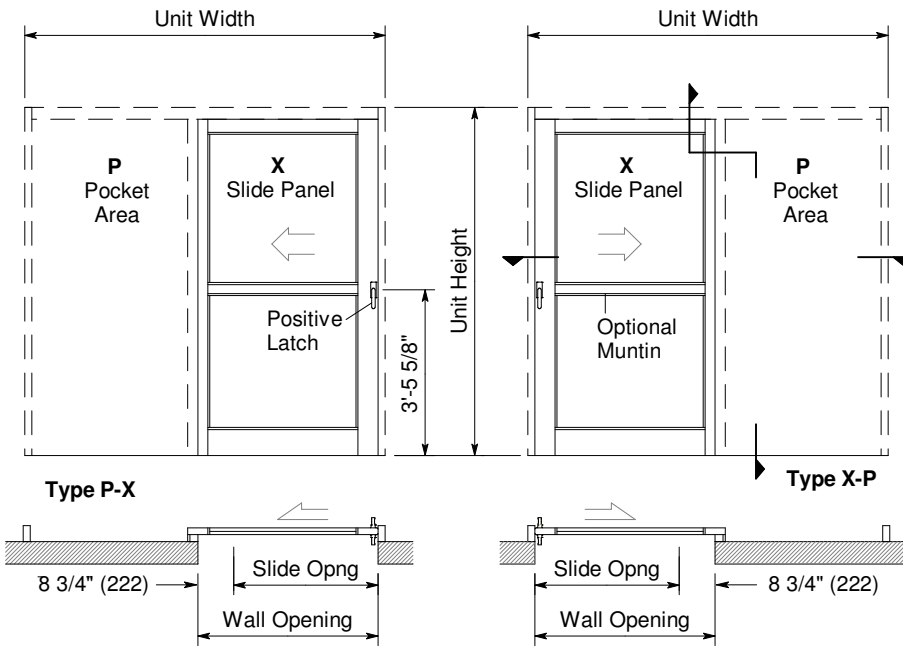
Options:

- Custom Sizes, Finishes & Glazing
- Antimicrobial coating
- Mid-rails (Muntins)

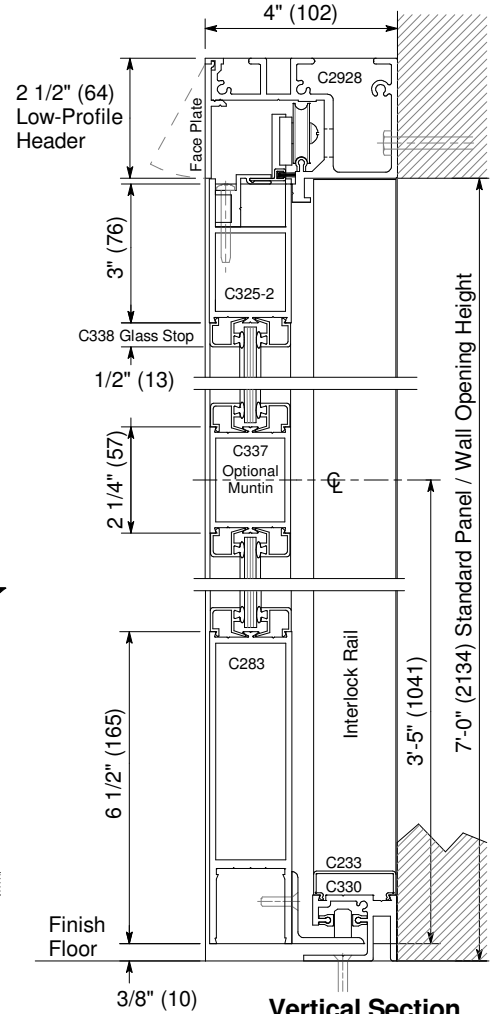
For Arch. Specifications see p. A16.1.

Installation and Operation

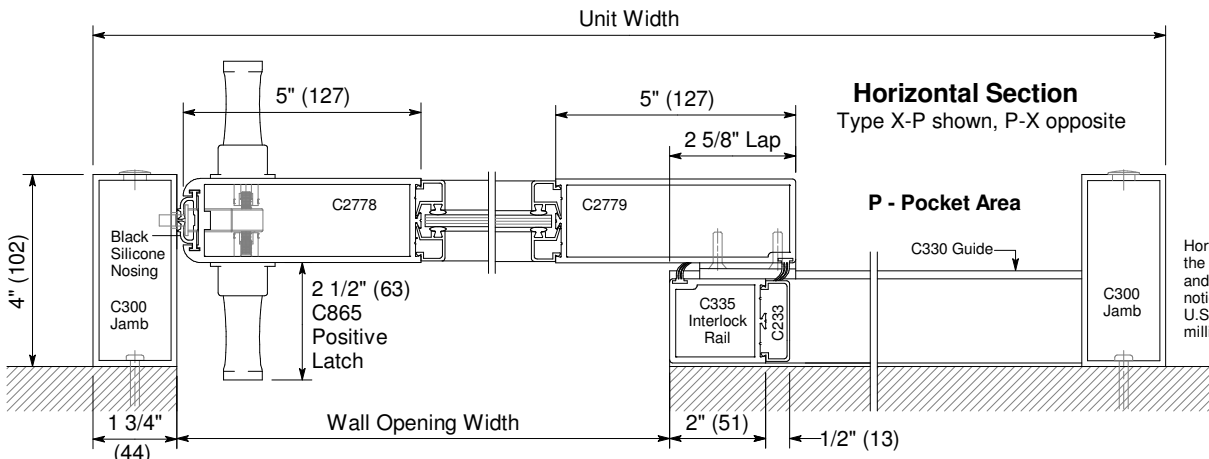
- Door surface mounted to wall. Finish floor not to exceed 1/4" out of level.
- Sliding panel rolls on nylon covered track at header for quiet, smooth, anti-friction operation.
- Standard sliding panel (X) glazed with 1/4" tempered glass (shown) can be opened with 8 to 12 lbs of force after positive latch is released.



Exterior Elevations and Floor Plans



Vertical Section
 Door shown in open position



Horizontal Section

Type X-P shown, P-X opposite

P - Pocket Area

Horton Automatics reserves the right to alter its product and specifications without notice. Dimensions given in U.S. inches followed by millimeters in parenthesis.