

Standard Packages

Unit Width	Slide Opening	Breakout Opening	Slide Panel Width	Sidelite Width	Rough Opening Width
7'-0" (2134)	3'-0" (914)	6'-3" (1905)	3'-6" (1067)	3'-5" (1041)	7'-0 1/2" (2146)
8'-0" (2438)	3'-6" (1067)	7'-3" (2210)	4'-0" (1219)	3'-11" (1194)	8'-0 1/2" (2451)
8'-6" (2591)	3'-9" (1143)	7'-9" (2362)	4'-3" (1295)	4'-2" (1270)	8'-6 1/2" (2604)
9'-0" (2743)	4'-0" (1219)	8'-3" (2515)	4'-6" (1372)	4'-5" (1346)	9'-0 1/2" (2756)

Unit Height: 7'-6" (2286) Rough Opening Height: 7'-6 3/4" (2292) Glazing: Standard unit prep'd for 1/4" (6) glazing.	Anodized Finish: Clear or Dark Bronze
---	---

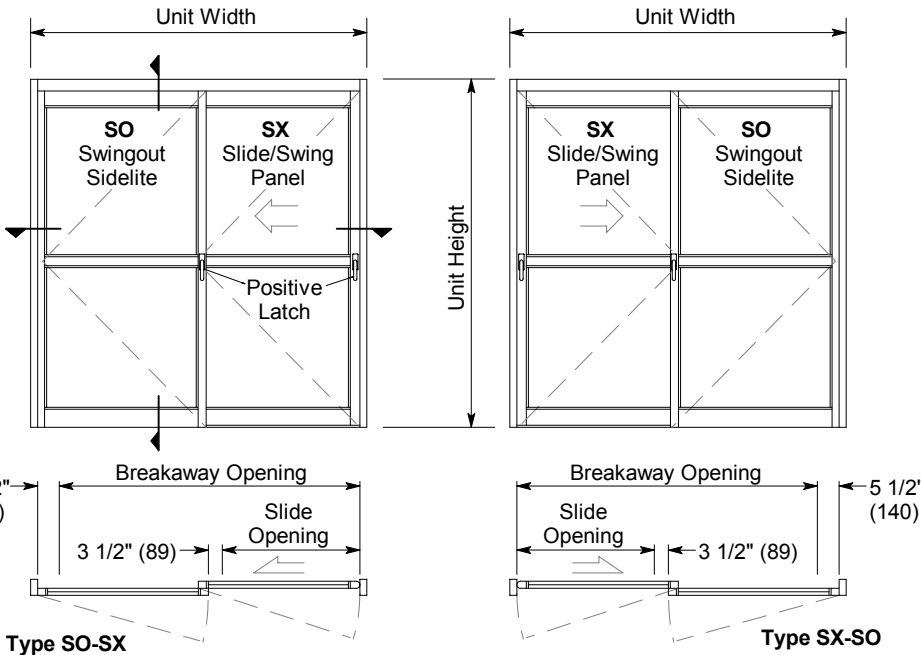
Options

- Flush Pulls in lieu of Positive Latching
- Custom Glazing, Finishes and Sizes
- Medium Stile Rails
(slide opening will reduced by 1 1/2")
- Wide Stile Rails
(slide opening will reduced by 2 3/4")

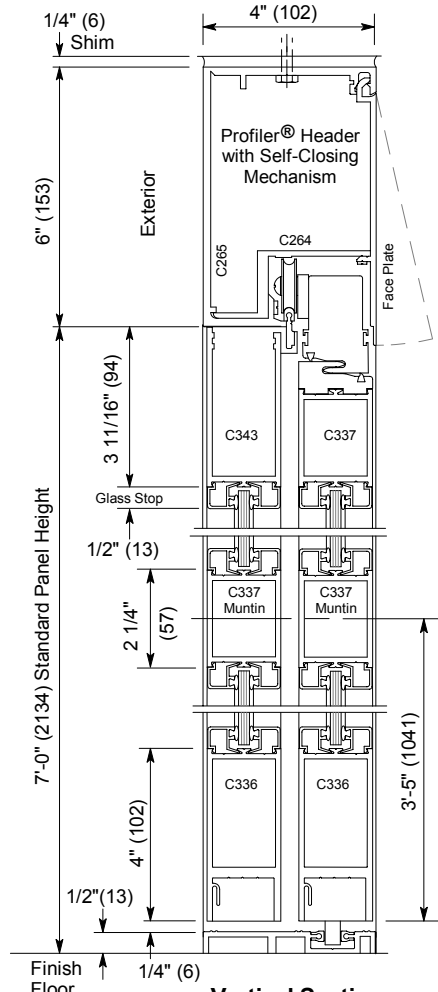
For Architectural Specifications see pages A20.0 thru A20.3.

Installation and Operation

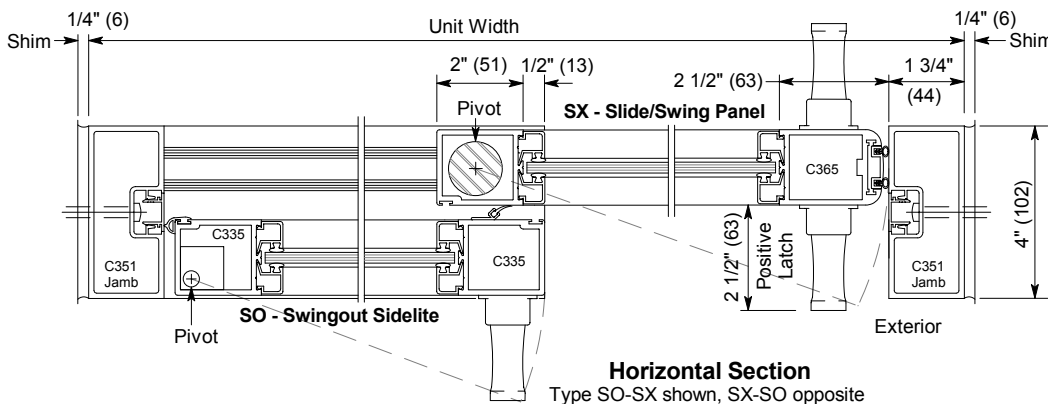
- Door perimeter mounted within curtainwall or rough opening with 1/4" minimum shim space at header & jambs. Finish floor not to exceed 1/4" out of level. (See page A9.2)
- Sliding panel rolls on nylon covered track at header for quiet, smooth, anti-friction operation.
- Standard sliding panel (SX) can be opened, after positive latch is released, with 8 to 12 lbs of force. SX panel can swing out 90° at any point of travel, after positive latches are released, requiring no more than 50 lbs of force applied at the strike stile.
- Finger Safety: When sliding open, strike rail of sliding panel will stop 3 1/2" (89) short of adjacent sidelite. Result is slide opening.



Exterior Elevations and Floor Plans

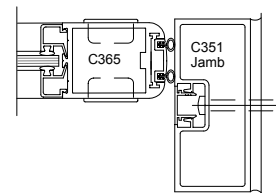


Vertical Section
Door shown in open position



Horizontal Section

Type SO-SX shown, SX-SO opposite



Optional Recessed Pull
(In Lieu of Positive Latch)