



® 4242 Baldwin Boulevard
 Corpus Christi, Texas
 USA 78405-3399
 Tel: 800-531-3111, 361-888-5591
 Fax: 800-531-3108, 361-888-6510
 www.hortondoors.com
 The Automatic Choice

ARCHITECTURAL DETAILS

POWER SWING DOOR OPERATORS

**HD-Swing® Series 4100/4100LE Surface Applied
 Double Egress with Side Access Header and Parallel Arm**

B2.0.2
 Aug 18

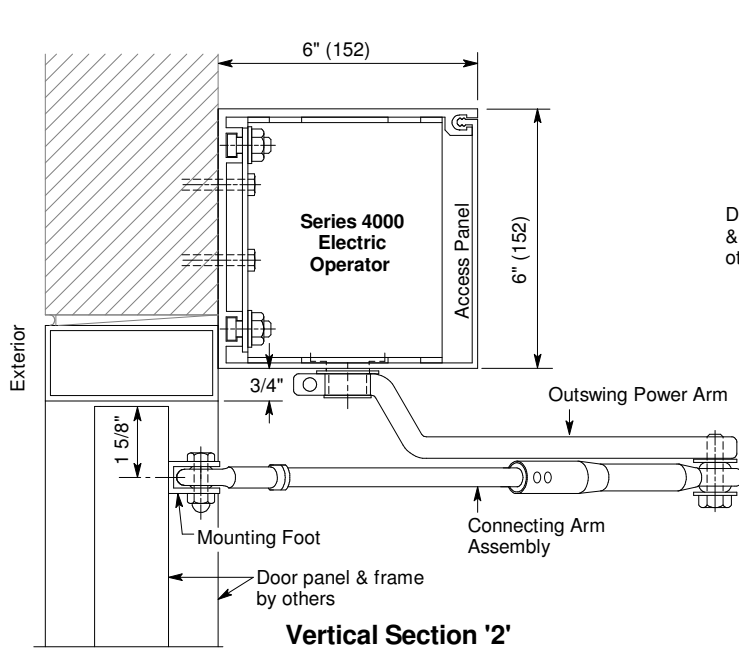
Standard Packages

Double Egress Units	
Types: LH-RHR, LHR-RH	
Door Pair Width	Header Width
5'-0" (1524)	5'-3" (1600)
6'-0" (1829)	6'-3" (1905)
7'-0" (2133)	7'-3" (2210)
Anodized Finish: Clear or Dark Bronze	

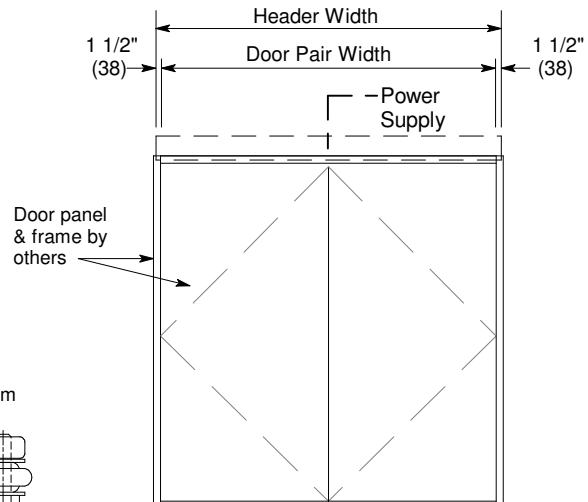
Installation and Operation

- Swing door header is surface mounted onto frame and connecting arm assembly is mounted to face of door panel. Frame and door panel to be provided by others (see "Typical Mounting and Rough-In Wiring" p.B1.4.)
- Electrical: Provide 120 VAC , 60 cycle, single phase, 15 amp service (in conduit) to each swing door unit on a dedicated 20 amp circuit breaker routed into header. Maximum current draw is 3.15 amps
- 2-Way Traffic: Unit to be actuated by push button or push plate on each side of unit (see "Push Button and Push Plate Switches" p.E2.4).
 Note: Guide Rails not req'd for Low Energy or corridor application.

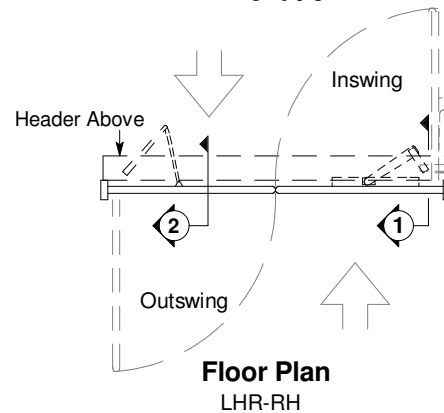
For additional equipment information see Architectural Specs B4.1 or B5.1 (Low Energy).



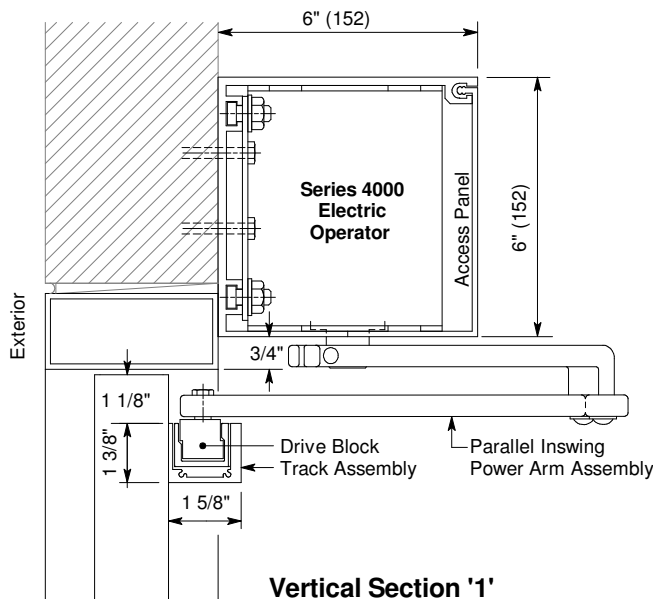
Vertical Section '2'



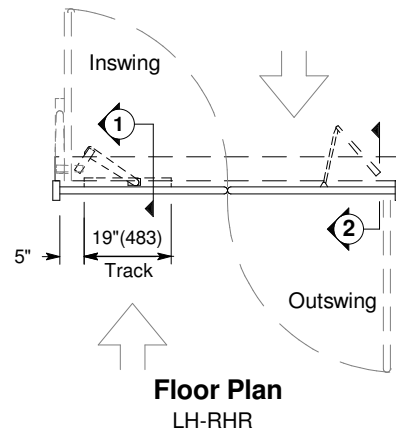
Elevation



**Floor Plan
 LHR-RH**



Vertical Section '1'



**Floor Plan
 LH-RHR**