



® 4242 Baldwin Boulevard
 Corpus Christi, Texas
 USA 78405-3399
 Tel: 800-531-3111, 361-888-5591
 Fax: 800-531-3108, 361-888-6510
 www.hortondoors.com
 The Automatic Choice

ARCHITECTURAL DETAILS

SWINGING AUTOMATIC ENTRANCES

Overhead Concealed Door Packages HD-Swing® Series 4500LE Header Pair Units with Direct Drive

B11.5
 July 10

Standard Packages

Door Pair Width	Frame Opening Width	Unit Width	Rough Opening Width	Pair Units Types:	
5'-0" (1524)	5'-2" (1575)	5'-5 1/2" (1664)	5'-6" (1676)		LH-RH LHR-LHR
6'-6" (1829)	6'-2" (1880)	6'-5 1/2" (1181)	6'-6" (1981)		
7'-6" (2133)	7'-2" (2184)	7'-5 1/2" (2273)	7'-6" (2286)		
Unit Height: 7'-6" (2286), Rough Opening Height: 7'-6 1/4" (2292) Glazing: Standard unit prep'd for 1/4" (6) glass. Glass provided by others.				Anodized Finish: Clear or Dark Bronze	

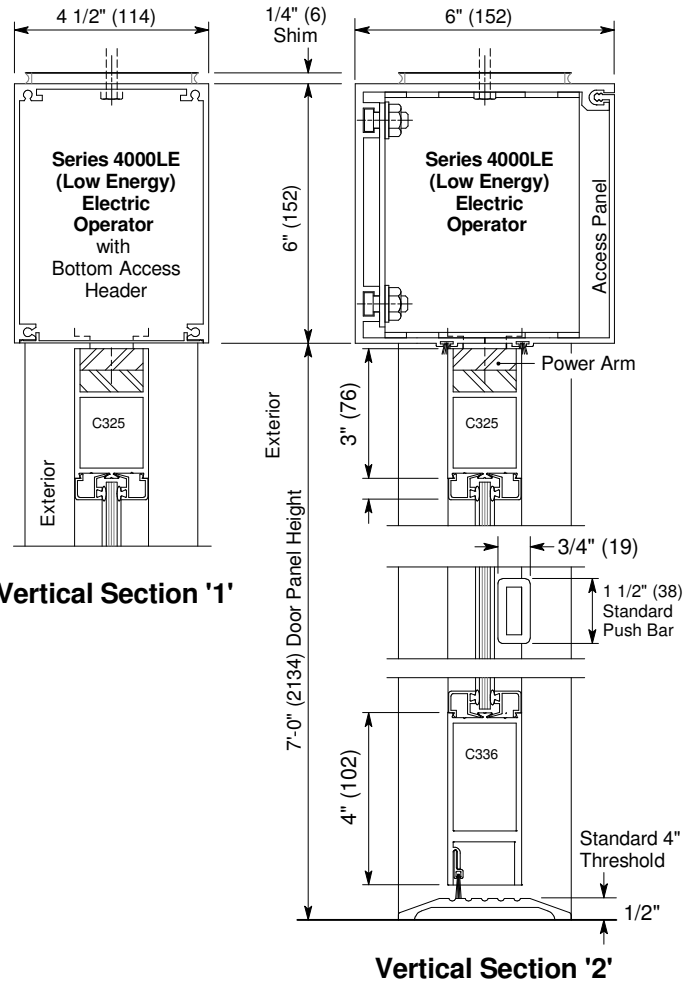
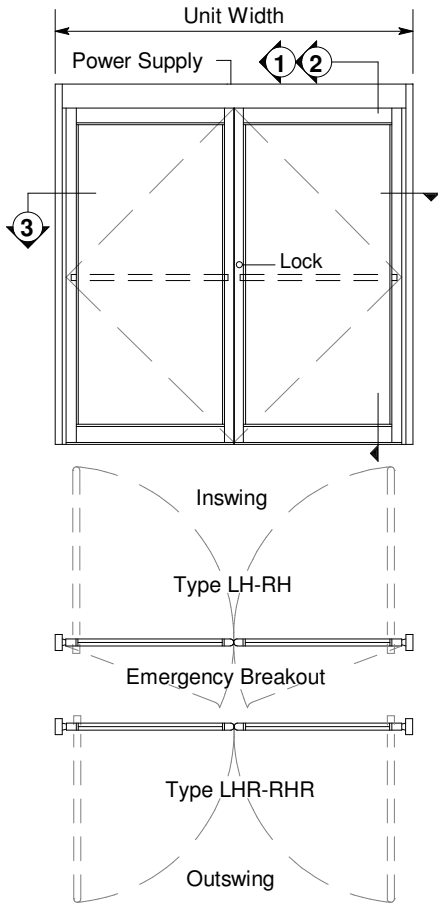
Installation and Operation

- Door is perimeter mounted within curtainwall or rough opening with 1/4" min. shim space at header & jambs. Finish floor not to exceed 1/4" out of level. (see p. B10.1)
- Electrical: Provide 120 VAC, 60 cycle, single phase, 15 amp service (in conduit) to each swing door unit on a dedicated 20 amp circuit breaker routed into header. Maximum current draw is 3.15 amps.
- Unit to be actuated by push plate or push button switch mounted on each side of opening for two-way traffic.
- Maximum Security Manual Locks: Exterior keylocks and interior thumbturns located at vertical strike rail.

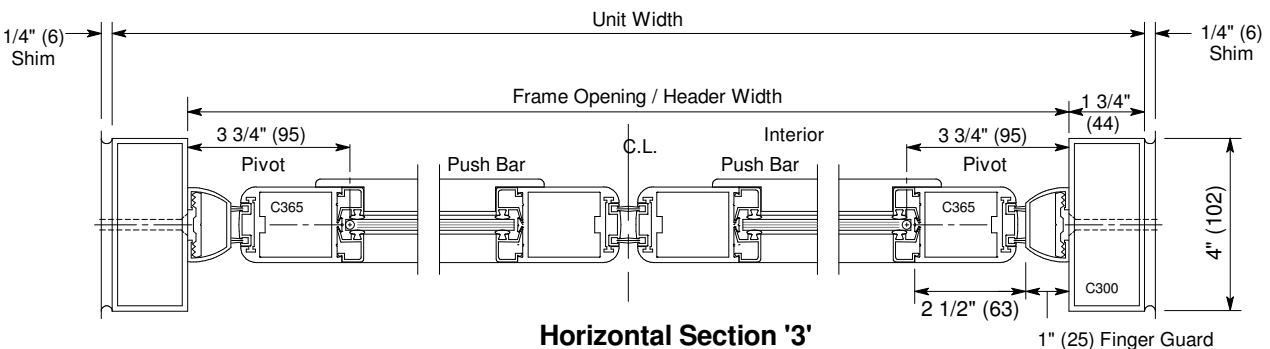
Options

- 2 1/4" wide muntin bar in lieu of pushbar.
- Additional muntins and/or push bars.
- Transom & sidelites.
- Non-threshold application.
- Custom glass prep up to 1".
- Custom muntins from 1/2" to 10" wide.
- Custom bottom rails up to 10" tall.
- Custom jambs: 1 3/4" x 6" or 1 3/4" x 4 1/2".
- Custom anodized or paint finish.

For standard and optional equipment details see Architectural Specs starting on p. B9.0 and B10.0 and Specification Details starting on p. B3.0.



Exterior Elevation and Floor Plan



Horizontal Section '3'