



® 4242 Baldwin Boulevard
 Corpus Christi, Texas
 USA 78405-3399
 Tel: 800-531-3111, 361-888-5591
 Fax: 800-531-3108, 361-888-6510
 www.hortondoors.com
 The Automatic Choice

ARCHITECTURAL DETAILS

SWING DOORS & CLOSERS

Series 0500 Manual Swing Door

B11.9

Single Units with Overhead Concealed Double-Acting Closer

Aug 14

Standard Packages

Door Width	Frame Opening Width	Unit Width	Rough Opening Width	Single Units Types:
3'-0" (914)	3'-1" (940)	3'-4 1/2" (1029)	3'- 5" (1041)	
3'-6" (1067)	3'-7" (1092)	3'-10 1/2" (432)	3'-11" (1194)	
Unit Height: 7'-1 3/4" (2178), Rough Opening Height: 7'-2" (2292) Glazing: Standard unit prep'd for 1/4" (6) glass. Glass provided by others.				Anodized Finish: Clear or Dark Bronze

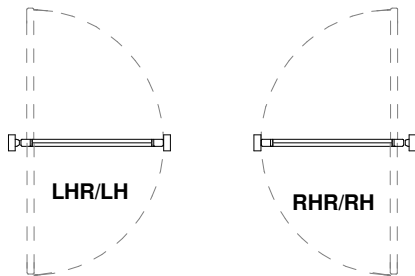
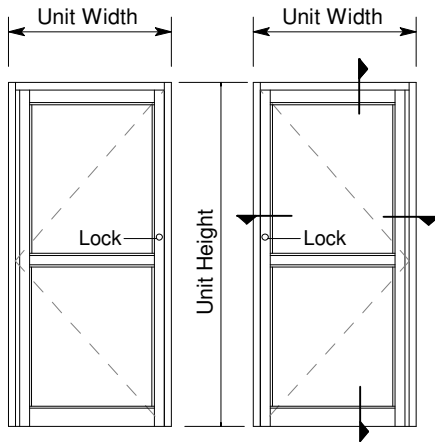
Installation and Operation

- Door is perimeter mounted within curtainwall or rough opening with 1/4" min. shim space at header & jambs. Finish floor not to exceed 1/4" out of level. (see p. B8.3)
- Maximum Security Manual Locks: Exterior keylocks and interior thumbturns located at vertical strike rail.

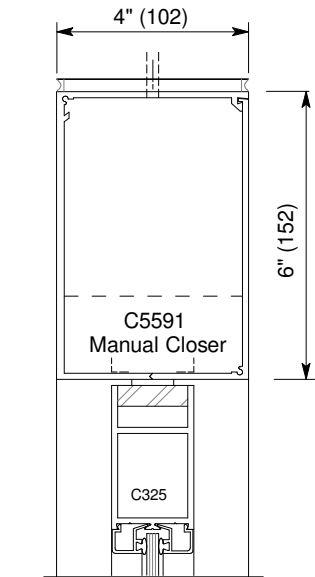
For standard and optional equipment see Architectural Specs starting on p. B13.0.

Options

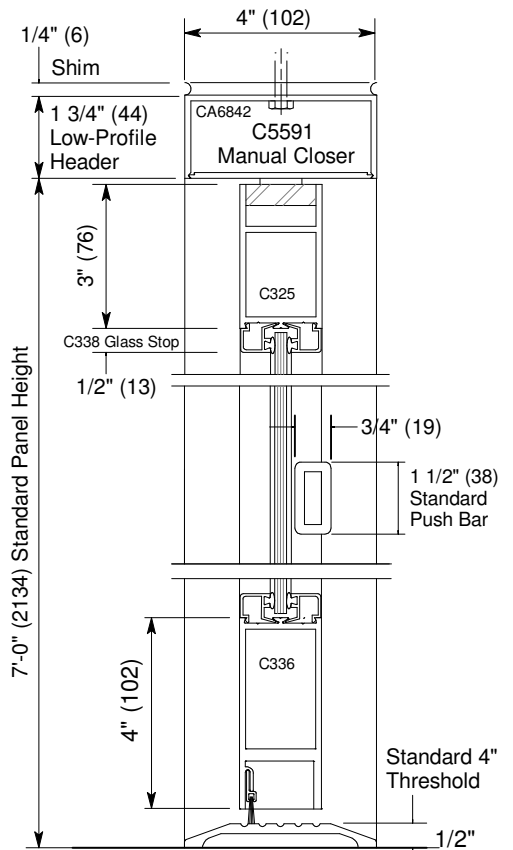
- Hold-Open Closer.
- 6" (152) Header.
- Pull Handle.
- 2 1/4" wide muntin bar in lieu of pushbar.
- Additional muntins and/or push bars.
- Transom & sidelites.
- Non-threshold application.
- Custom glass prep up to 1".
- Custom muntins from 1/2" to 10" wide.
- Custom bottom rails up to 10" tall.
- Custom jambs: 1 3/4" x 6" or 1 3/4" x 4 1/2".
- Custom anodized or paint finish.



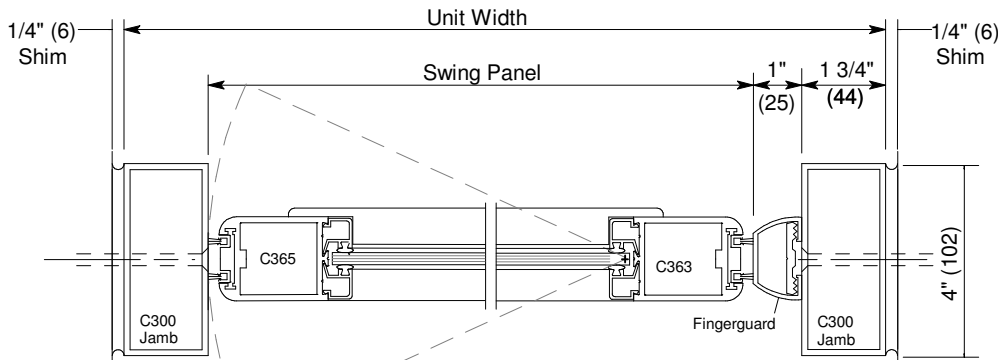
Exterior Elevations and Floor Plans



Optional Full Size Header



Vertical Section



Horizontal Section

RHR/RH shown. LHR/LH opposite.