



® 4242 Baldwin Boulevard
 Corpus Christi, Texas
 USA 78405-3399
 Tel: 800-531-3111, 361-888-5591
 Fax: 800-531-3108, 361-888-6510
 www.hortondoors.com
 The Automatic Choice

ARCHITECTURAL DETAILS

CLEANROOM SLIDE DOORS

UltraClean™ Atmospheric I

C7.0

Type: 010 Single Slide O-X or X-O

Dec 18

Standard Packages

| Unit Width | Slide Opening | Slide Panel Width | Sidelite Width | Rough Opening Width |
|--------------|---------------|-------------------|----------------|---------------------|
| 8'-0" (2438) | 3'-6" (1067) | 4'-0" (1219) | 3'-11" (1194) | 8'-0 1/2" (2451) |
| 8'-6" (2591) | 3'-9" (1143) | 4'-3" (1295) | 4'-2" (1270) | 8'-6 1/2" (2604) |
| 9'-0" (2743) | 4'-0" (1219) | 4'-6" (1372) | 4'-5" (1346) | 9'-0 1/2" (2756) |

Unit Height: 7'-6" (2286) **Rough Opening Height:** 7'-6 1/4" (2292)

Glazing: Standard unit prep'd for 1/4" (6) glazing using beveled glass stops on all horizontal rails.

Finishes: Anodized Aluminum, Custom Paint, #4 Stainless Clad

Compliant with ISO Class 3 Cleanroom

- Sealed Motor for ISO Class 3 Compliance
- Application for Electronics Manufacturing Cleanroom

Actuators:

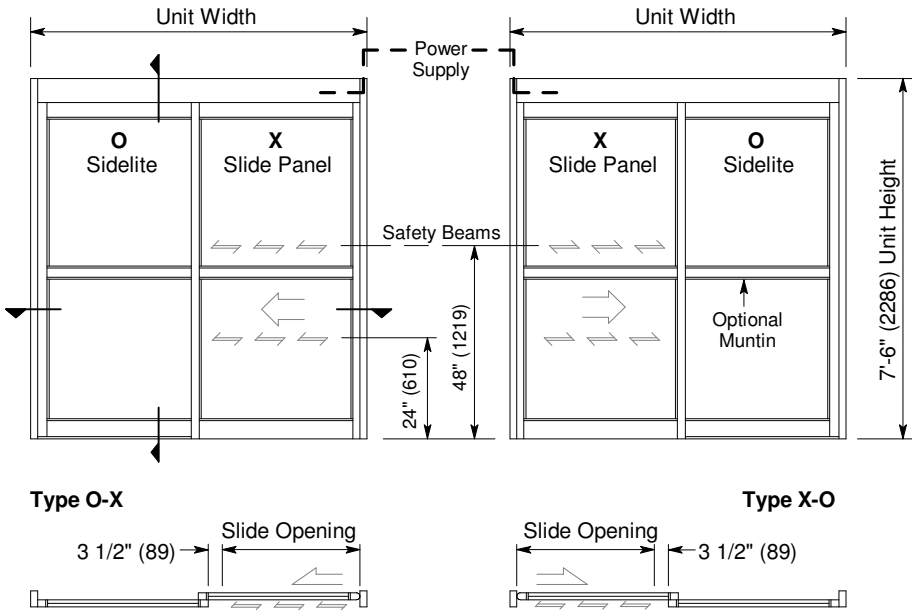
- Push Plate, Wave Sensor or overhead Motion Sensor

Options:

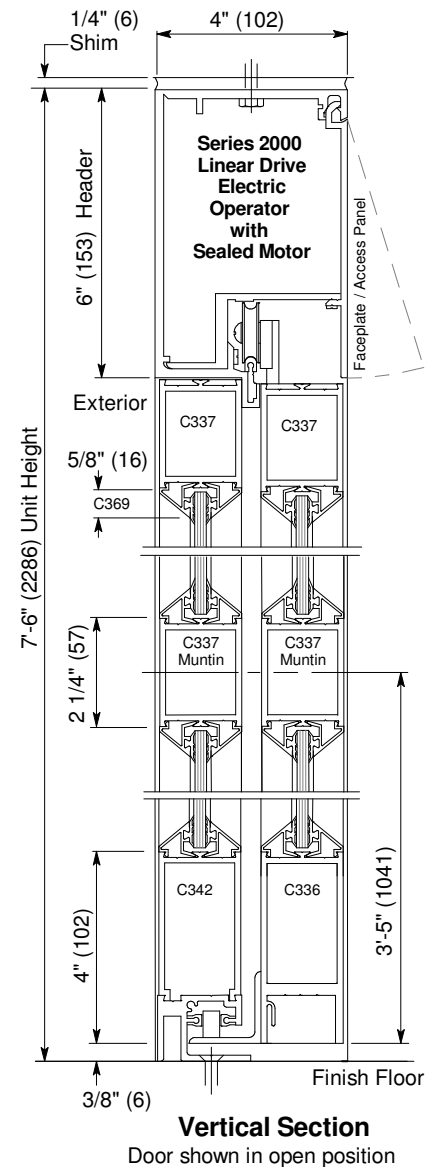
- Custom height & width.
- Medium or wide stile construction
- Stainless steel or anodized aluminum hood
- Manual lock, Autolock, or Interlock Controller

Installation and Operation

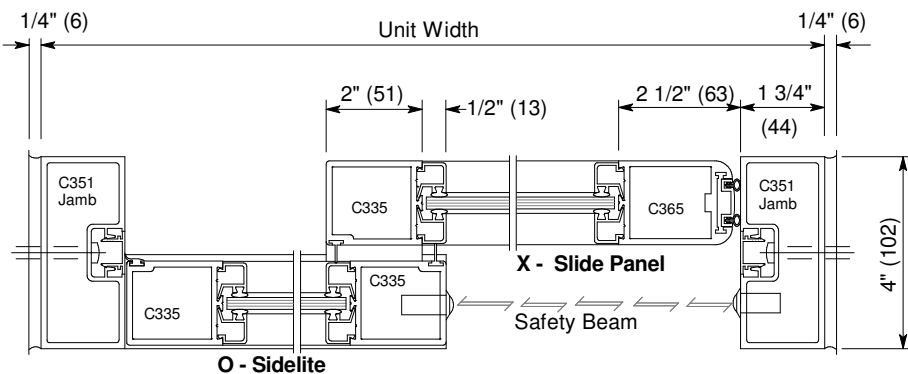
- Door perimeter mounted within rough opening with 1/4" minimum shim space at header & jambs. Finish floor not to exceed 1/4" out of level. (See page C6.2)
- Electrical: Provide 120 VAC, 60 cycle, single phase, 15 amp service (in conduit) to each unit on dedicated 20 amp circuit breaker routed to header. Maximum current draw is 3.15 amps.
- Actuator mounted on interior and exterior of opening for operation in each direction. Door closes after time delay expires. Optional interlock Control prevents two doors from being open at the same time in multiple door application.
- Finger Safety: Upon activation, sliding panel will stop 3 1/2" (89) short of interlock rail. Result is slide opening.



Exterior Elevations and Floor Plans



Vertical Section
 Door shown in open position



Horizontal Section
 Type O-X shown, X-O opposite



® 4242 Baldwin Boulevard
 Corpus Christi, Texas
 USA 78405-3399
 Tel: 800-531-3111, 361-888-5591
 Fax: 800-531-3108, 361-888-6510
 www.hortondoors.com
 The Automatic Choice

ARCHITECTURAL DETAILS

CLEANROOM SLIDE DOORS

UltraClean™ Atmospheric I

Type: 010 Single Slide X-P or P-X, Surface Applied

C7.1

Dec 18

Standard Packages

| Unit Width | Slide Opening | Wall Opening | Slide Panel Width |
|--------------|---------------|------------------|-------------------|
| 8'-0" (2438) | 3'-6" (1067) | 3'-9 1/2" (1156) | 4'-0" (1219) |
| 8'-6" (2591) | 3'-9" (1143) | 4'-0 1/2" (1232) | 4'-3" (1295) |
| 9'-0" (2743) | 4'-0" (1219) | 4'-3 1/2" (1308) | 4'-6" (1372) |

Unit Height: 7'-6" (2286)

Glazing: Standard unit prep'd for 1/4" (6) glazing using beveled glass stops on all horizontal rails.

Finishes: Anodized Aluminum, Custom Paint, #4 Stainless Clad

Compliant with ISO Class 3 Cleanroom

- Sealed Motor for ISO Class 3 Compliance
- Application for Electronics Manufacturing Cleanroom

Actuators:

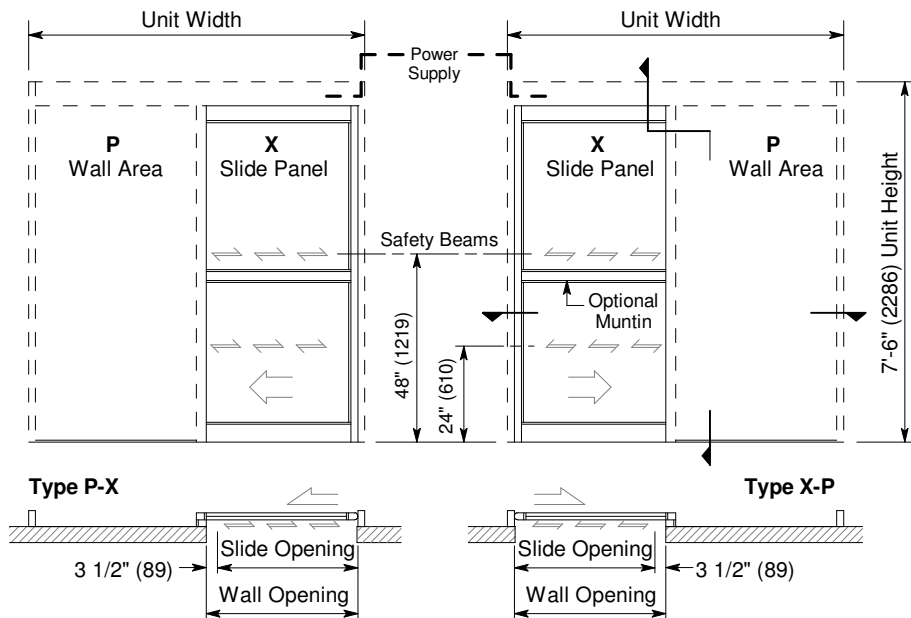
- Push Plate, Wave Sensor or overhead Motion Sensor

Options:

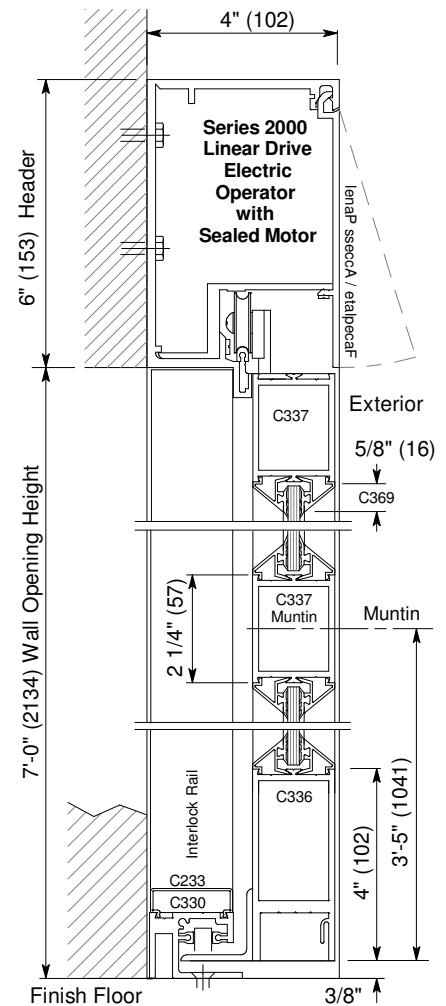
- Custom height & width.
- Medium or wide stile construction
- Stainless steel or anodized aluminum hood
- Manual lock, Autolock, or Interlock Controller

Installation and Operation

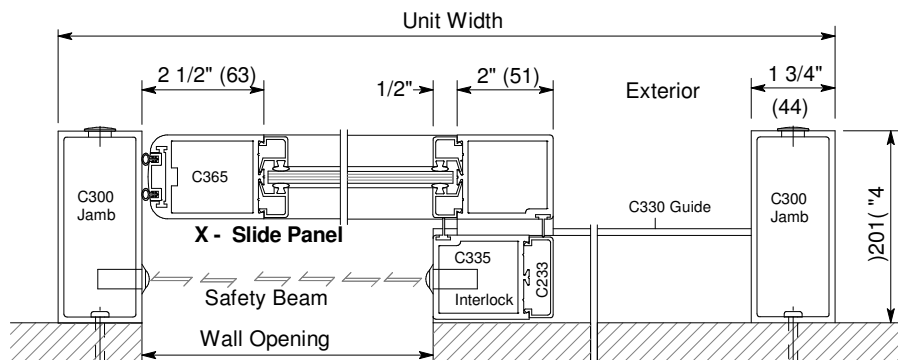
- Door unit is surface mounted onto interior of finished wall. Finish floor not to exceed 1/4" out of level. (See page C6.2)
- Electrical: Provide 120 VAC, 60 cycle, single phase, 15 amp service (in conduit) to each unit on dedicated 20 amp circuit breaker routed to header. Maximum current draw is 3.15 amps.
- Actuator mounted on interior and exterior of opening for operation in each direction. Door closes after time delay expires. Optional interlock Control prevents two doors from being open at the same time in multiple door application.
- Finger Safety: Upon activation, sliding panel will stop 3 1/2" (89) short of interlock rail. Result is slide opening.



Exterior Elevation and Floor Plan



Vertical Section
 Door shown in open position



Horizontal Section

Type X-P shown, P-X opposite

Horton Automatics reserves the right to alter its product and specifications without notice. Dimensions given in U.S. inches followed by millimeters in parenthesis.



® 4242 Baldwin Boulevard
 Corpus Christi, Texas
 USA 78405-3399
 Tel: 800-531-3111, 361-888-5591
 Fax: 800-531-3108, 361-888-6510
 www.hortondoors.com
 The Automatic Choice

ARCHITECTURAL DETAILS

CLEANROOM SLIDE DOORS

UltraClean™ Atmospheric I

C7.2

Type: 110 Single Slide O-SX or SX-O

Dec 18

Standard Packages

| Unit Width | Slide Opening | Breakout Opening | Slide Panel Width | Sidelite Width | Rough Opening Width |
|--|---------------|---|-------------------|--|---------------------|
| 8'-0" (2438) | 3'-6" (1067) | 3'-9 1/2" (1156) | 4'-0" (1219) | 3'-11" (1194) | 8'-0 1/2" (2451) |
| 8'-6" (2591) | 3'-9" (1143) | 4'-0 1/2" (1232) | 4'-3" (1295) | 4'-2" (1270) | 8'-6 1/2" (2604) |
| 9'-0" (2743) | 4'-0" (1219) | 4'-3 1/2" (1308) | 4'-6" (1372) | 4'-5" (1346) | 9'-0 1/2" (2756) |
| Unit Height: 7'-6" (2286) | | Rough Opening Height: 7'-6 1/4" (2292) | | Finishes: Anodized Aluminum, Custom Paint, #4 Stainless Clad | |
| Glazing: Standard unit prep'd for 1/4" (6) glazing using beveled glass stops on all horizontal rails. | | | | | |

Compliant with ISO Class 3 Cleanroom

- Sealed Motor for ISO Class 3 Compliance
- Application for Electronics Manufacturing Cleanroom

Actuators:

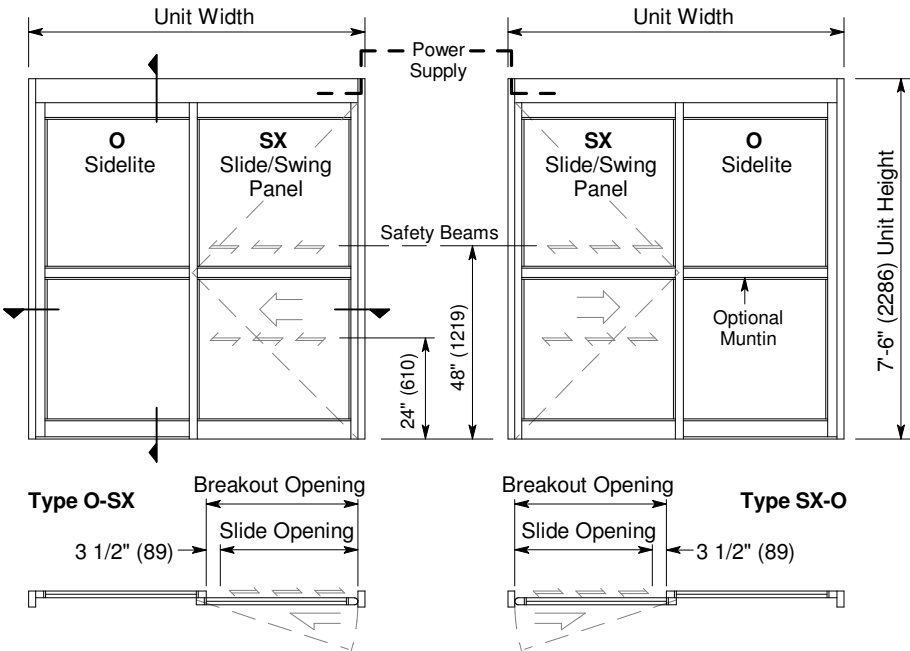
- Push Plate, Wave Sensor or overhead Motion Sensor

Options:

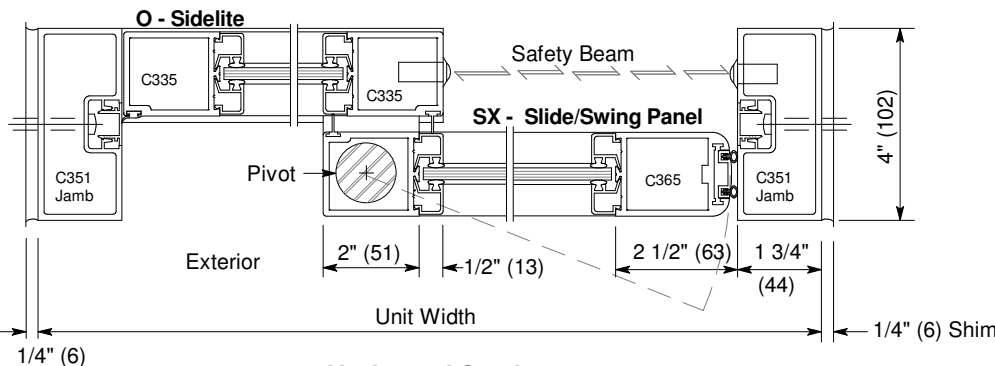
- Custom height & width
- Medium or wide stile construction
- Stainless steel or anodized aluminum hood
- Manual lock, Autolock, or Interlock Controller

Installation and Operation

- Door perimeter mounted within rough opening with 1/4" minimum shim space at header & jambs. Finish floor not to exceed 1/4" out of level. (See page C6.2)
- Electrical: Provide 120 VAC, 60 cycle, single phase, 15 amp service (in conduit) to each unit on dedicated 20 amp circuit breaker routed to header. Maximum current draw is 3.15 amps.
- Actuator mounted on interior and exterior of opening for operation in each direction. Door closes after time delay expires. Optional interlock Control prevents two doors from being open at the same time in multiple door application.
- Finger Safety: Upon activation, sliding panel will stop 3 1/2" (89) short of interlock rail. Result is slide opening.
- Standard SX Slide/Swing Panel can swing out at any point of slide travel requiring no more than 50 lbs of force applied at the strike stile.

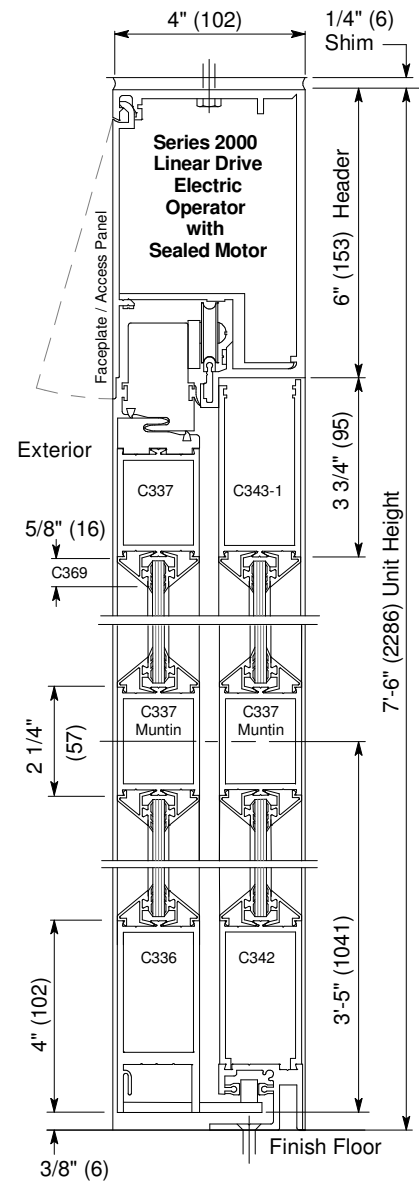


Exterior Elevations and Floor Plans



Horizontal Section

Type O-SX shown, SX-O opposite



Vertical Section

Door shown in open position



® 4242 Baldwin Boulevard
 Corpus Christi, Texas
 USA 78405-3399
 Tel: 800-531-3111, 361-888-5591
 Fax: 800-531-3108, 361-888-6510
 www.hortondoors.com
 The Automatic Choice

ARCHITECTURAL DETAILS

CLEANROOM SLIDE DOORS

UltraClean™ Atmospheric I

C7.3

Type: 110 Single Slide SX-P or P-SX, Surface Applied

Dec 18

Standard Packages

| Unit Width | Slide Opening | Breakout / Wall Opening | Slide Panel Width |
|--------------|---------------|-------------------------|-------------------|
| 8'-0" (2438) | 3'-6" (1067) | 3'-9 1/2" (1156) | 4'-0" (1219) |
| 8'-6" (2591) | 3'-9" (1143) | 4'-0 1/2" (1232) | 4'-3" (1295) |
| 9'-0" (2743) | 4'-0" (1219) | 4'-3 1/2" (1308) | 4'-6" (1372) |

Unit Height: 7'-6" (2286)

Glazing: Standard unit prep'd for 1/4" (6) glazing using beveled glass stops on all horizontal rails.

Finishes:
 Anodized Aluminum,
 Custom Paint,
 #4 Stainless Clad

Compliant with ISO Class 3 Cleanroom

- Sealed Motor for ISO Class 3 Compliance
- Application for Electronics Manufacturing Cleanroom

Actuators:

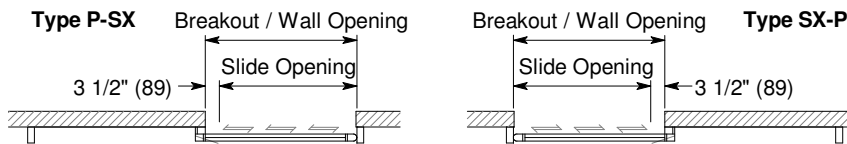
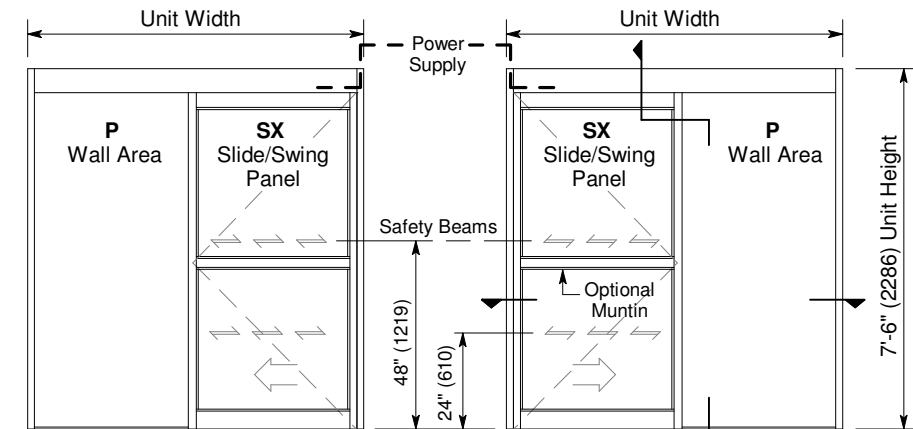
- Push Plate, Wave Sensor or overhead Motion Sensor

Options:

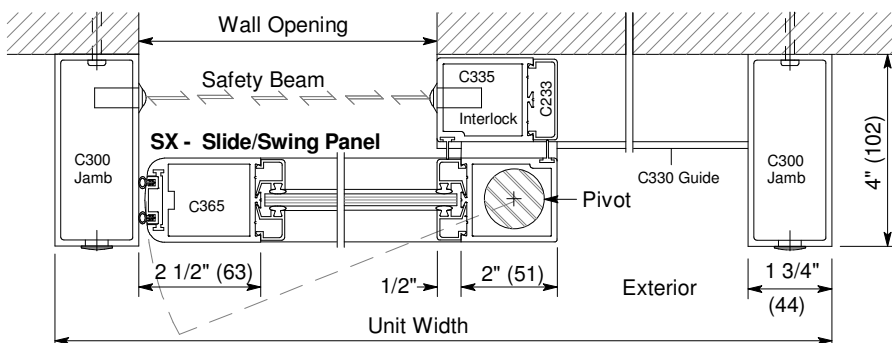
- Custom height & width.
- Medium or wide stile construction
- Stainless steel or anodized aluminum hood
- Manual lock, Autolock, or Interlock Controller

Installation and Operation

- Door unit is surface mounted onto exterior of finished wall. Finish floor not to exceed 1/4" out of level. (See page C6.2)
- Electrical: Provide 120 VAC, 60 cycle, single phase, 15 amp service (in conduit) to each unit on dedicated 20 amp circuit breaker routed to header. Maximum current draw is 3.15 amps.
- Actuator mounted on interior and exterior of opening for operation in each direction. Door closes after time delay expires. Optional interlock Control prevents two doors from being open at the same time in multiple door application.
- Finger Safety: Upon activation, sliding panel will stop 3 1/2" (89) short of interlock rail. Result is slide opening.
- Standard SX Slide/Swing Panel can swing out at any point of slide travel requiring no more than 50 lbs of force applied at the strike stile.

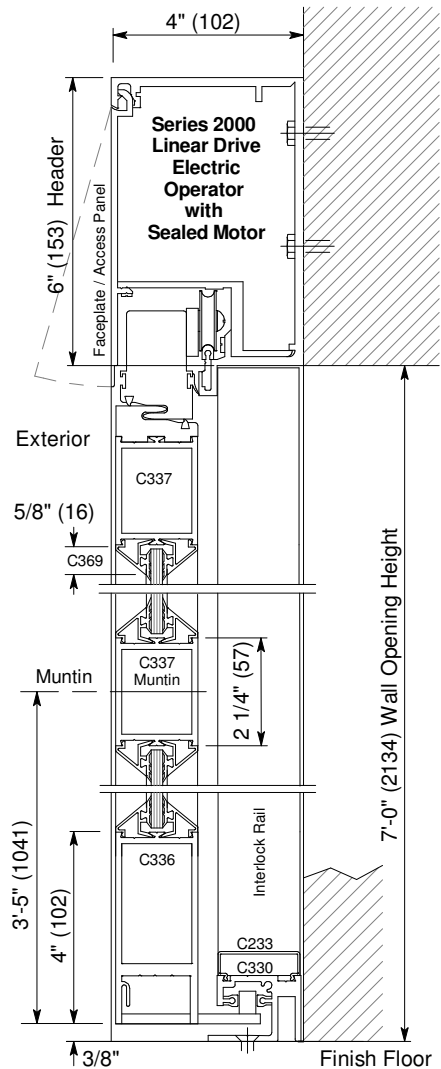


Exterior Elevation and Floor Plan



Horizontal Section

Type SX-P shown, P-SX opposite



Vertical Section

Door shown in open position