



® 4242 Baldwin Boulevard  
 Corpus Christi, Texas  
 USA 78405-3399  
 Tel: 800-531-3111, 361-888-5591  
 Fax: 800-531-3108, 361-888-6510  
 www.hortondoors.com  
 The Automatic Choice

# ARCHITECTURAL DETAILS

## DRIVE-THRU SERVICE WINDOWS

### Series 8900 Manual

D2.4

Type: Single Slide X-O or O-X, Flush Mount

Sept 16

### Standard Packages

Unit Width	Unit Height	Slide Opening	Clear Opening Height	Rough Opening	
				Width	Height
48" (1219)	30" (762)	18 1/2" (470)	23" (584)	48 1/2" (1232)	30 1/4" (768)
48" (1219)	36" (914)	18 1/2" (470)	29" (737)	48 1/2" (1232)	36 1/4" (920)
48" (1219)	48" (1219)	18 1/2" (470)	41" (1041)	48 1/2" (1232)	48 1/4" (1225)
47 1/2" (1207)	44" (1118)	18" (457)	37" (940)	48" (1219)	44 1/4" (1124)
45 1/2" (1156)	38" (965)	16" (406)	31" (787)	46" (1168)	38 1/4" (972)
50" (1270)	38" (965)	20 1/2" (521)	31" (787)	50 1/2" (1282)	38 1/4" (972)

**Glazing:** 1" Insulated clear tempered safety glass      **Anodized Finish:** Clear or Dark Bronze

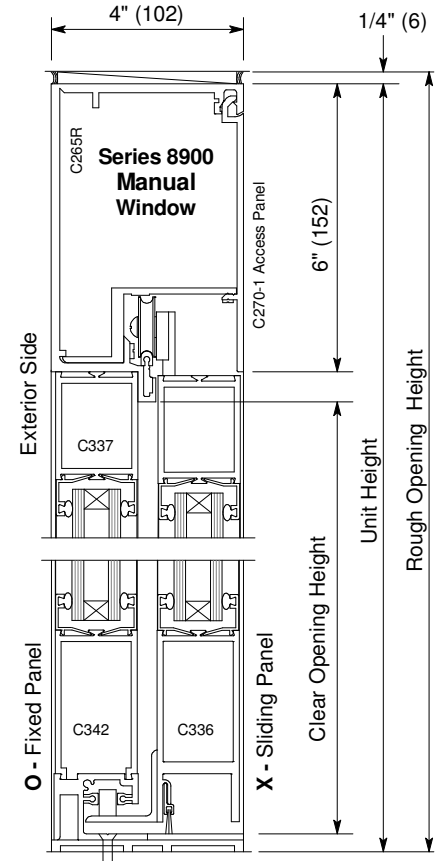
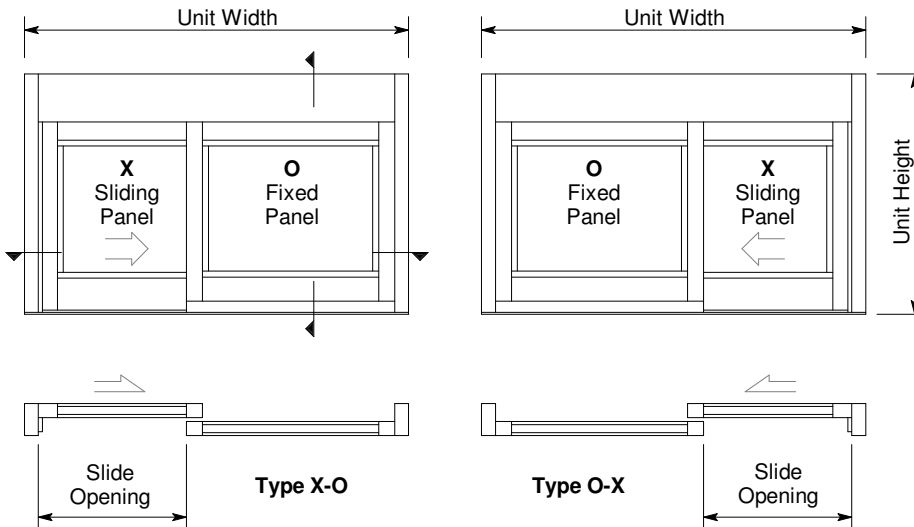
### Installation

- Unit is perimeter mounted within rough opening with 1/4" min. shim space at header & jambs. See page D1.1.
- Optional 2 1/2" (64) low-profile header available.

### Operation

- Window unit provided with recessed manual pull and maximum security thumb-turn lock (key cylinder lock is optional).

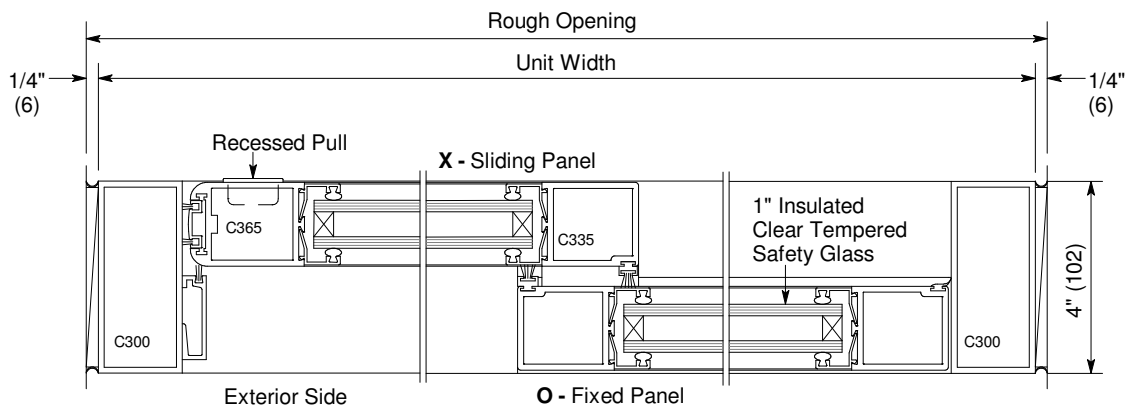
For standard and optional equipment details see Architectural Specifications starting on p. D4.0 and Specification Details starting on p. B3.0.



### Floor Plans with Exterior Elevations

### Vertical Section

Window shown in closed position



### Horizontal Section

Type X-O shown, O-X opposite

Horton Automatics reserves the right to alter its product and specifications without notice. Dimensions given in U.S. inches followed by millimeters in parenthesis.