



® 4242 Baldwin Boulevard  
 Corpus Christi, Texas  
 USA 78405-3399  
 Tel: 800-531-3111, 361-888-5591  
 Fax: 800-531-3108, 361-888-6510  
 www.hortondoors.com  
 The Automatic Choice

# ARCHITECTURAL DETAILS

## REVOLVING DOOR ENTRANCES

### EasyFlow® Manual Series 9530

Type: 3-Wing with Round Drum, Narrow Stile

F2.4

Jan 15

### Standard Packages

Nominal Inside Diameter	Outside Diameter	Entry	Rough Opening Width	Rough Opening Height
6'-6" (1981)	6'-9 1/2" (2070)	3'-0 1/8" (918)	6'-10" (2083)	Overall Unit Height + 1/4"
7'-0" (2134)	7'-3 1/2" (2223)	3'-3 1/8" (994)	7'-4" (2235)	
<b>Ceiling Height:</b> 7'-0" (2134), <b>Canopy Height:</b> 4" (102) or 6" (152) <b>Glazing:</b> Standard wing prep'd for 1/4" (6) glass. Glass provided by others. Standard drum provided with 7/16" clear laminated curved glass.				<b>Anodized Finish:</b> Clear or Dark Bronze

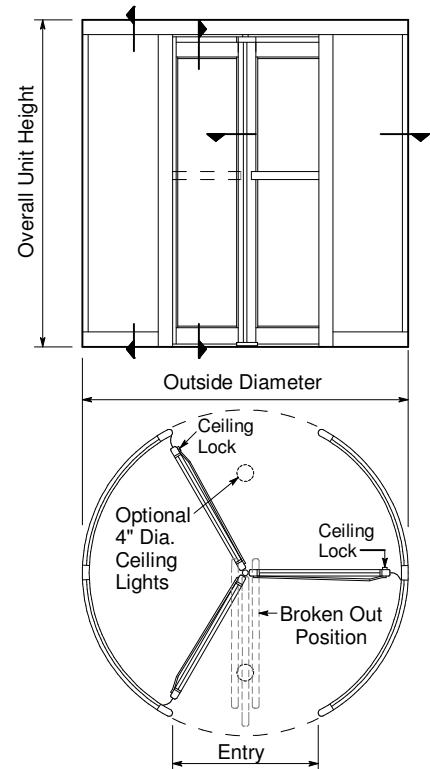
### Options

- Custom diameters between 6'-6" & 8'-0".
- Custom ceiling height up to 9'-0".
- Extended or cropped canopy.
- Round push bars or muntin bars
- Aluminum roof.
- Ceiling lights or partial glass ceiling.
- Prep up to 1" glazing in wings & 9/16" in drum.
- Custom anodized, clad or paint finish.

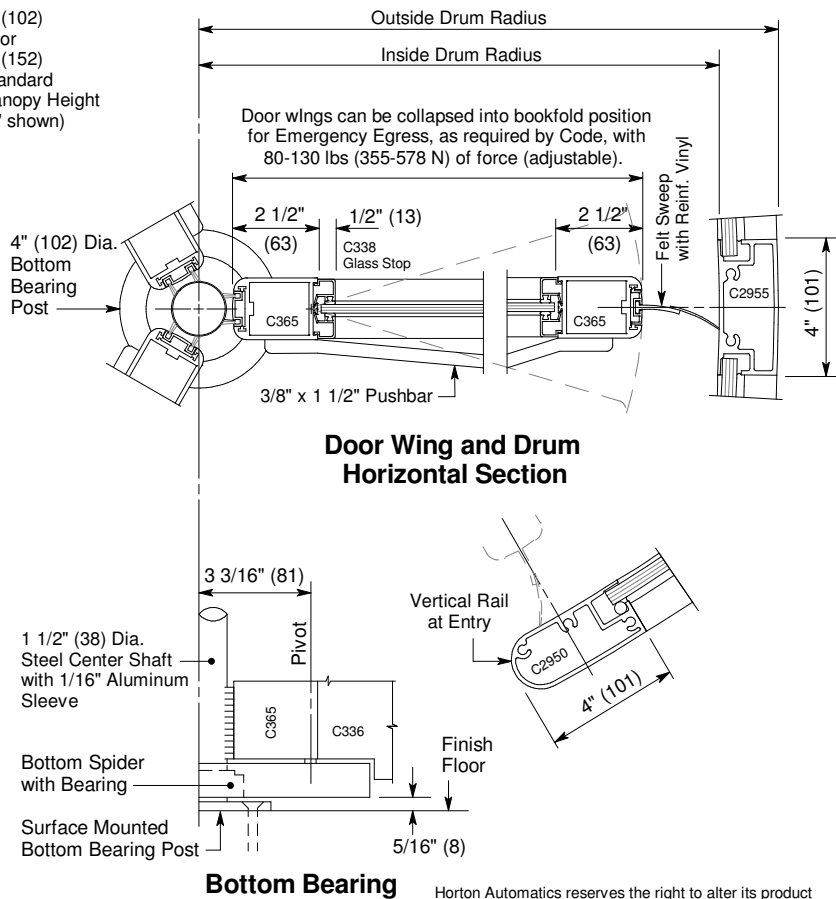
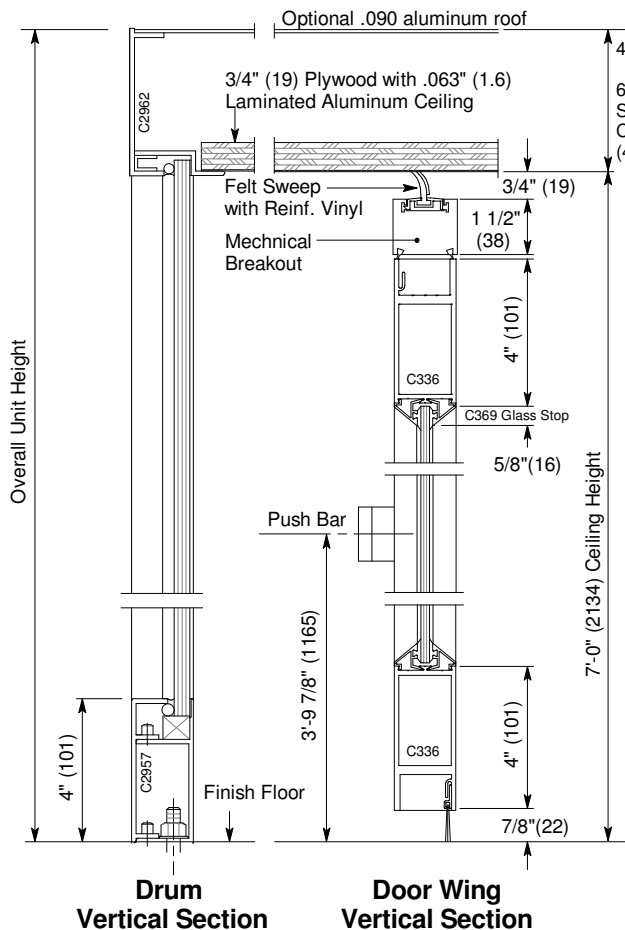
For further standard and optional equipment see Architectural Specifications starting on p. F4.0 and Specification Details on p. F3.0.

### Installation and Operation

- Door unit is surface mounted to finish floor (floor not to exceed 1/4" out of level). Unit is free-standing with no additional support required.
- Drum enclosure can be center connected to adjacent construction or 'throat connected' (at entry vertical rails). Allow for 1/4" shim space each side and at canopy. Adjacent construction not to bear down on revolving door.
- Standard overhead mechanical speed control allows up to 12 RPM (ANSI 156.27) and provides smooth braking action.
- Electrical (for optional lighting) : Provide 120 VAC , 60 cycle, single phase, 15 amp service (in conduit) on a dedicated 20 amp circuit breaker routed into canopy.



Floor Plan and Exterior Elevation



Horton Automatics reserves the right to alter its product and specifications without notice. Dimensions given in U.S. inches followed by millimeters in parenthesis.