



® 4242 Baldwin Boulevard
 Corpus Christi, Texas
 USA 78405-3399
 Tel: 800-531-3111, 361-888-5591
 Fax: 800-531-3108, 361-888-6510
 www.hortondoors.com
 The Automatic Choice

ARCHITECTURAL DETAILS

REVOLVING DOOR ENTRANCES

AutoFlow® Automatic Series 9330

Type: 3-Wing with Round Drum, Medium Stile

F2.9

Jan 15

Standard Packages

Nominal Inside Diameter	Outside Drum Diameter	Outside Canopy Diameter	Entry	Rough Opening Width (at Canopy) x Height
10'-0" (3048)	10'-3 1/2" (3137)	10'-4" (3150)	4'- 4 3/8" (1330)	10'- 4" x 8'- 0 1/4" (3150) x (2445)

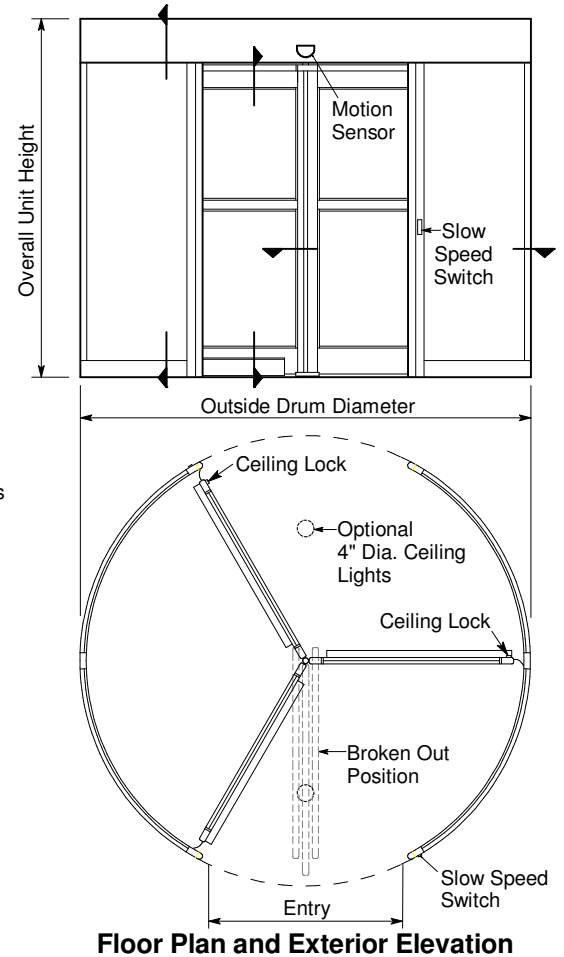
Overall Unit Height: 8'-0" (2438)
Ceiling Height: 7'- 0" (2134), **Canopy Height:** 12" (305)
Glazing: Standard wing prep'd for 1/4" (6) glass. Glass provided by others. Standard drum provided with 7/16" clear laminated curved glass.
Anodized Finish: Clear or Dark Bronze

- Options** • Ceiling lights • Custom anodized or paint finish • Ceiling height up to 8'-0"
 • Aluminum roof • Extended or cropped canopy

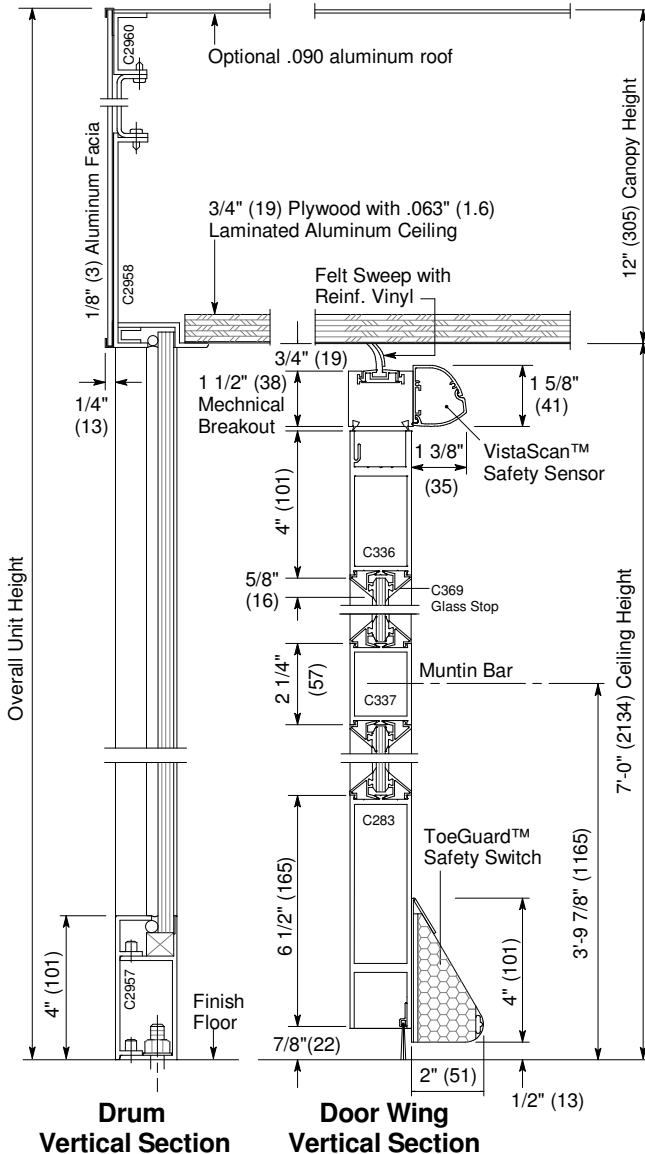
For more standards & options see Architectural Specs (p.F5.0) and Spec Details (p. F3.0).

Installation and Operation

- Door unit is surface mounted to finish floor (floor not to exceed 1/4" out of level). Unit is free-standing with no additional support required.
- Drum can be center connected to adjacent construction or throat connected (at entry vertical rails). Allow 1/4" shim space each side & at canopy. Adjacent construction not to bear down on revolving door.
- Motion sensor at each entry starts wing rotation on user approach at 3-5 RPM. Push plate mounted at door entry slows door to 1-3 RPM for slower traffic.
- Electrical: Provide 120 VAC, 15 amp service on a dedicated 20 amp circuit breaker routed to the power operator mounted within the enclosure canopy.

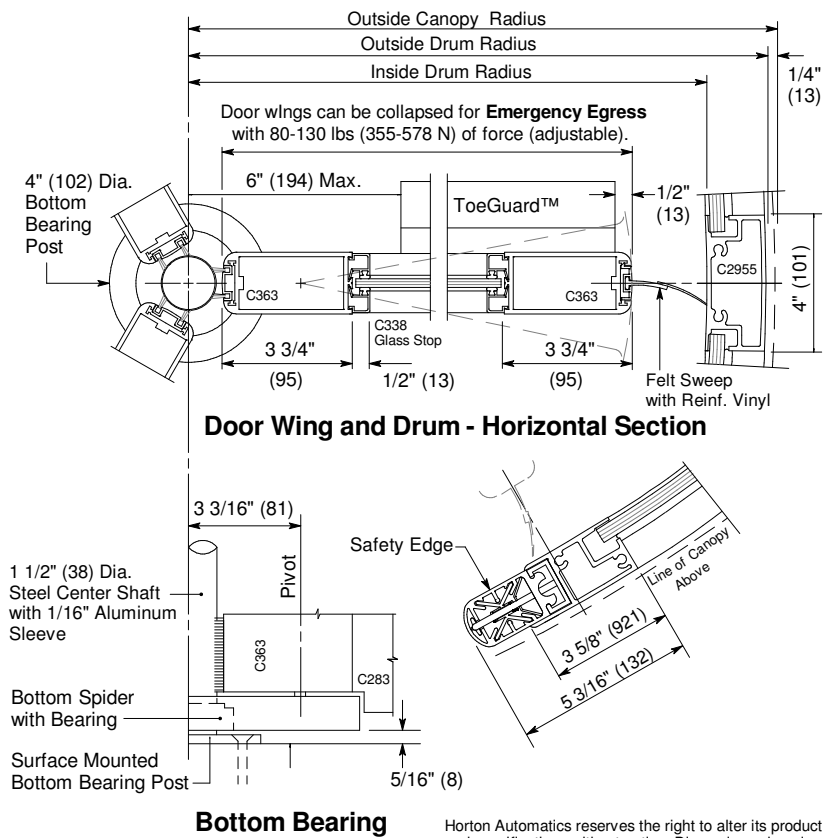


Floor Plan and Exterior Elevation



Drum Vertical Section

Door Wing Vertical Section



Bottom Bearing

Horton Automatics reserves the right to alter its product and specifications without notice. Dimensions given in U.S. inches followed by millimeters in parenthesis.