



® 4242 Baldwin Boulevard
 Corpus Christi, Texas
 USA 78405-3399
 Tel: 800-531-3111, 361-888-5591
 Fax: 800-531-3108, 361-888-6510
 www.hortondoors.com
 The Automatic Choice

ARCHITECTURAL DETAILS

REVOLVING DOOR ENTRANCES

MiniGrand® Automatic Series 9331MG

Type: 3-Wing with Segmented® Drum

F2.10

Nov 16

Standard Packages

Nominal Inside Diameter	Outside Diameter	Entry	Rough Opening Width x Height
10'-8 1/2" (3264)	11'-0" (3353)	4'-9 3/4" (1467)	11'-0 1/2" (3366) x 8'-0 1/4"
11'-8 1/2" (3569)	12'-0" (3658)	5'-3 3/4" (1619)	12'-0 1/2" (3670) x 8'-0 1/4"

Overall Unit Height: 8'-0" (2438)
Ceiling Height: 7'-0" (2134), **Canopy Height:** 12" (305)
Glazing: Standard unit prep'd for 1/4" (6) glass. Glass by others.

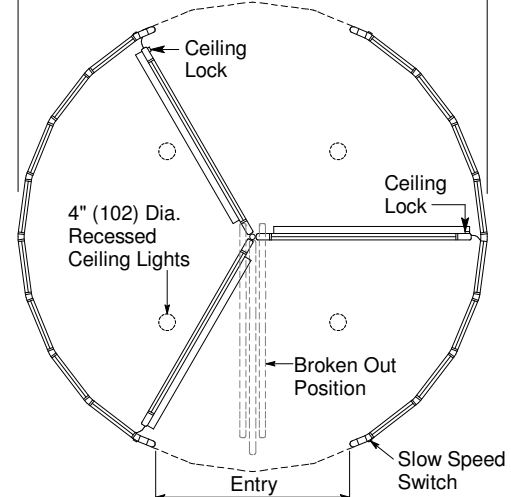
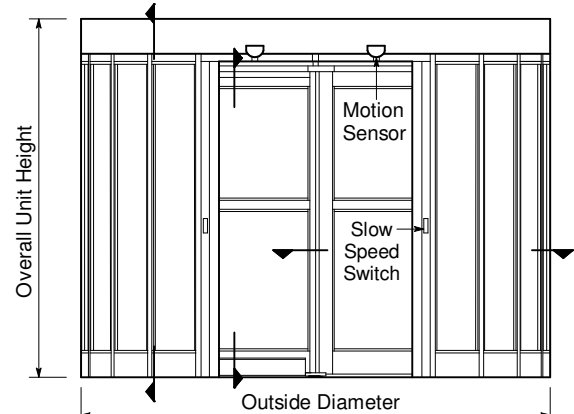
Anodized Finish:
 Clear or Dark Bronze

- Options** ● Ceiling lights ● Custom anodized or paint finish ● Ceiling height up to 8'-0"
 ● Aluminum roof ● Extended or cropped canopy

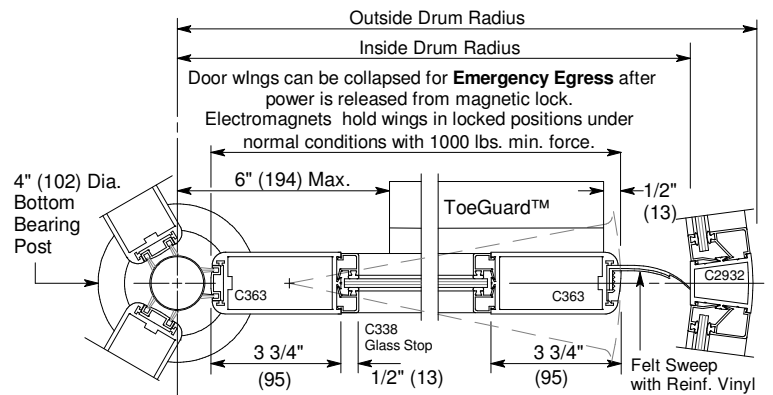
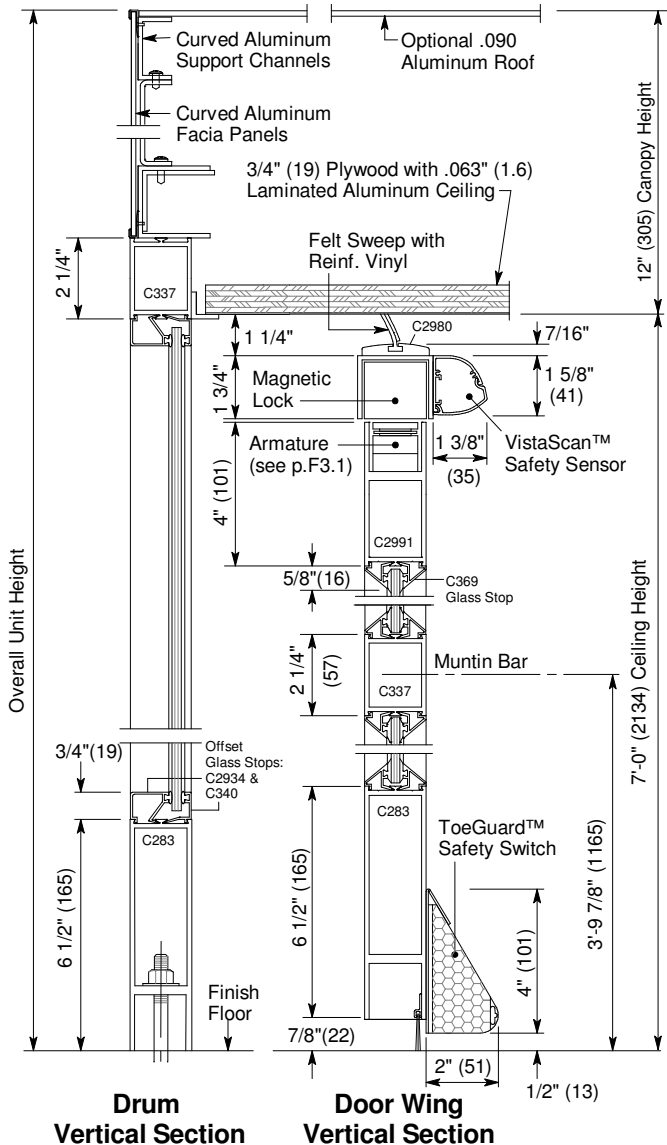
For more standards & options see Architectural Specs (p.F6.0) and Spec Details (p. F3.0).

Installation and Operation

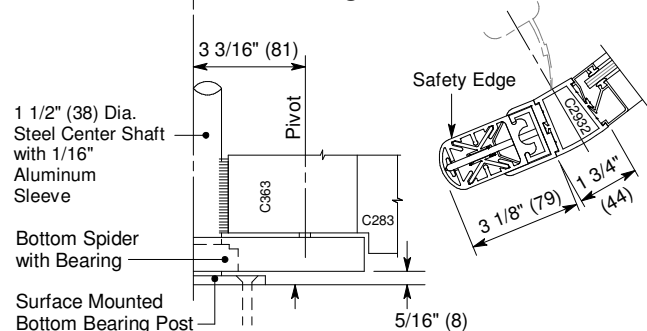
- Door unit is surface mounted to finish floor (floor not to exceed 1/4" out of level). Unit is free-standing with no additional support required.
- Drum can be center connected to adjacent construction or throat connected (at entry vertical rails). Allow 1/4" shim space each side & at canopy. Adjacent construction not to bear down on revolving door.
- Motion sensors at each entry starts wing rotation on user approach at 3-5 RPM. Push plates mounted at each side of entry slow door to 1-3 RPM for slower traffic.
- Electrical: Provide 120 VAC, 15 amp service on a dedicated 20 amp circuit breaker routed to power operator mounted within the enclosure canopy.



Floor Plan and Exterior Elevation



Door Wing and Drum - Horizontal Section



Bottom Bearing

Horton Automatics reserves the right to alter its product and specifications without notice. Dimensions given in U.S. inches followed by millimeters in parenthesis.