



® 4242 Baldwin Boulevard  
 Corpus Christi, Texas  
 USA 78405-3399  
 Tel: 800-531-3111, 361-888-5591  
 Fax: 800-531-3108, 361-888-6510  
 www.hortondoors.com  
 The Automatic Choice

# ARCHITECTURAL DETAILS

## SECURITY REVOLVING DOOR ENTRANCES

### ControlFlow® 1-Way Security Series 9130

F9.1

### Type: 3-Wing with Round Drum

Nov 17

#### Standard Packages

| Nominal Inside Diameter | Outside Diameter  | Canopy Diameter | Entry            | Rough Opening Width (at Canopy) x Height |
|-------------------------|-------------------|-----------------|------------------|--|
| 8'-0" (2438)            | 8'-3 1/2" (2527)  | 8'-4" (2540)    | 3'-6 7/8" (1026) | 8'-4 1/2" (2553) x 8'-0 1/4" (2445)      |
| 9'-0" (2743)            | 9'-3 1/2" (2832)  | 9'-4" (2845)    | 4'-0 7/8" (1178) | 9'-4 1/2" (2858) x 8'-0 1/4" (2445)      |
| 10'-0" (3048)           | 10'-3 1/2" (3137) | 10'-4" (3150)   | 4'-6 7/8" (1330) | 10'-4 1/2" (3162) x 8'-0 1/4" (2445)     |

**Overall Unit Height:** 8'-0" (2438), **Medium Stile Construction**  
**Ceiling Height:** 7'-0" (2134), **Canopy Height:** 12" (305)  
**Glazing:** Standard door wings prep'd for 1/4" (6) glass. Glass provided by others. Standard drum provided with 7/16" (11) curved laminated glass.  
**Anodized Finish:** Clear or Dark Bronze

- Options** • Ceiling lights • Custom anodized or paint finish • Ceiling height up to 8'-0"  
 • Aluminum roof • Extended or cropped canopy • Inactive mats (non-secure areas)

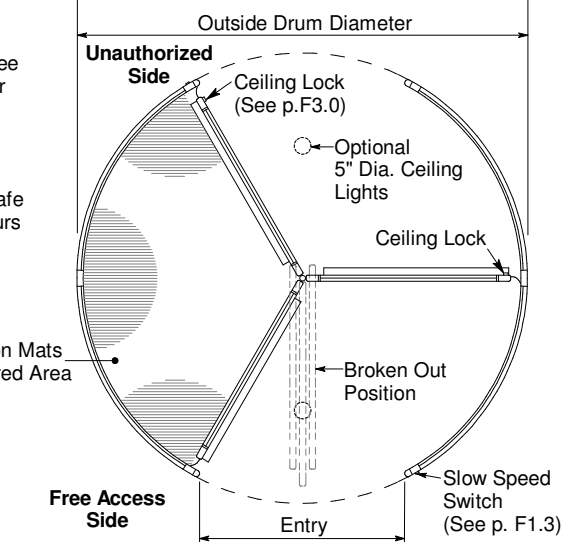
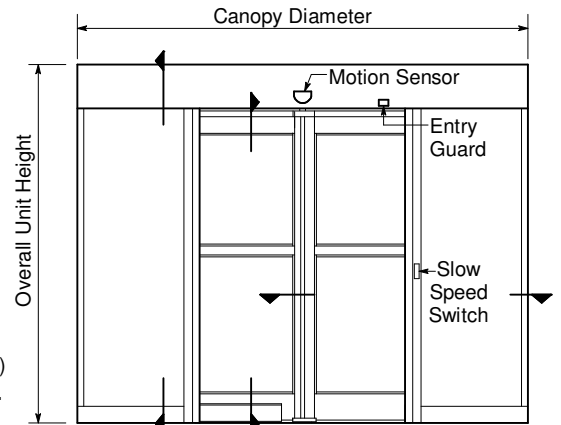
For more standards & options see Arch. Specs (p. F10.1) and Spec Details (starting on p. F3.0).

#### Installation

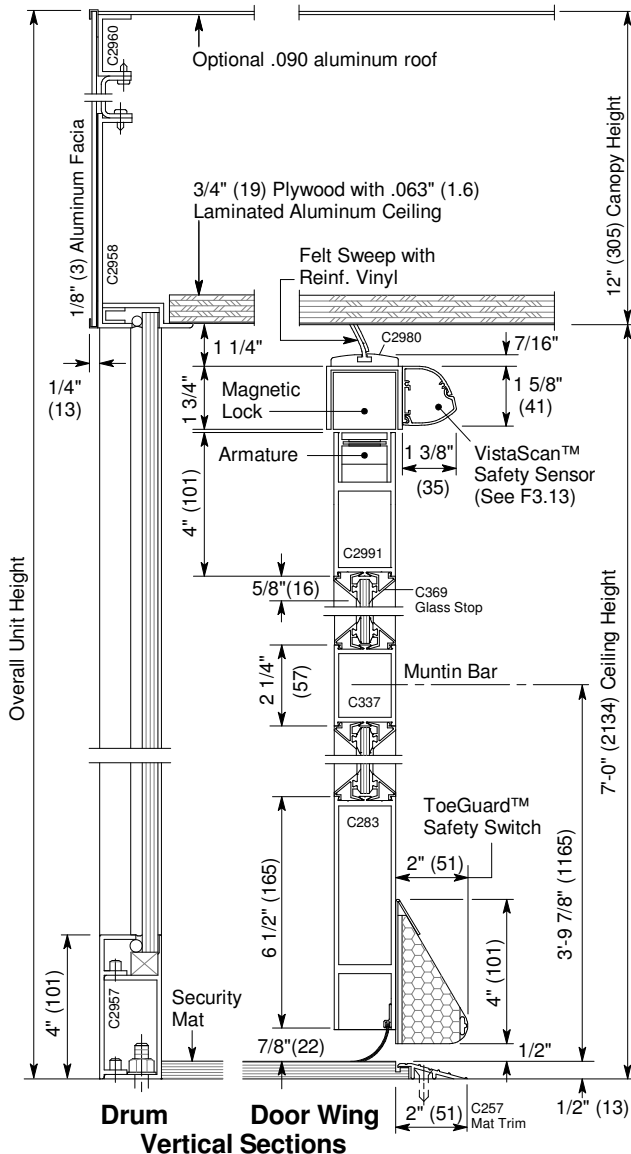
- Door unit is surface mounted to finish floor (floor not to exceed 1/4" out of level). Unit is free-standing with no additional support required (See p. F1.1).
- Drum can be center connected to adjacent construction or at entry vertical rails (See p. F1.2). Allow 1/4" shim space each side & at canopy. Adjacent construction not to bear down on door unit.
- Electrical: Provide 120 VAC, 15 amp service on a dedicated 20 amp circuit breaker routed to power operator mounted within the enclosure canopy.

#### Operation

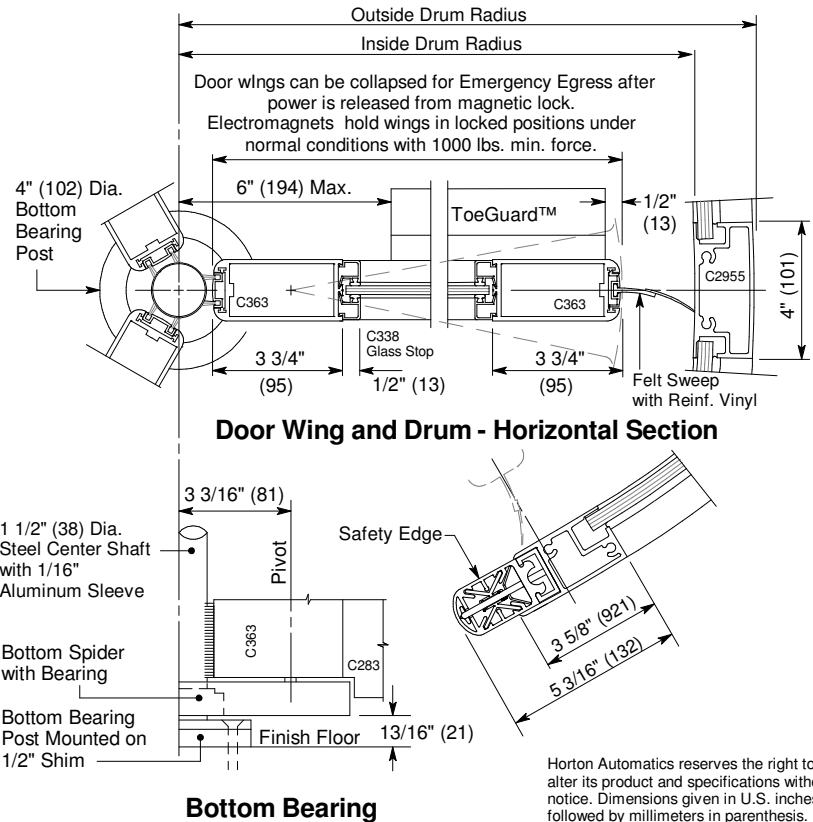
- Traffic is allowed to pass unrestricted from one direction and controlled from opposing direction. Motion sensor at free access side starts wing rotation on user approach at 2-4 RPM. Passage into unauthorized area will cause door to ramp to a stop, lock and announce security violation. Door then rotates to allow secure area to be cleared. Fail-safe design provides full operation for 2 hours in the event of power failure.



Floor Plan and Exterior Elevation



Drum Door Wing Vertical Sections



Door Wing and Drum - Horizontal Section Bottom Bearing

Horton Automatics reserves the right to alter its product and specifications without notice. Dimensions given in U.S. inches followed by millimeters in parenthesis.