

HD-Swing® LE

Series 4000LE Heavy Duty Low Energy



For High Traffic or Extra Large Barrier-Free Doors

Compliant with ANSI A156.19, A117.1 and Americans With Disabilities Act of 1990

Standard system features & benefits:

- Heavy duty gear drive and 1/8 HP motor designed for high wind conditions, stack pressure and high volume pedestrian traffic. Appropriate for heavy or oversized doors.
- Choice of mounting type: Surface mount or overhead concealed
- Choice of header: 6" x 6" side access or 4 1/2" x 6" bottom access
- Available for butt hung, center pivoted or off set pivot door assemblies
- Installs easily with no structural changes required



Specify Horton and demand AAADM certified installation



Handicap Accessible



Push Plate or Push Button Activation

Additional Features/Benefits

- Push-N-Go® automatic activation by pushing or pulling door panel
- SoftTouch® reversing and obstruction sensing
- Easily adjustable opening & closing speeds
- Manual operation in case of power failure
- Available in a variety of anodized, paint or clad finishes

Did You Know?



Low energy operators move the door slowly at a rate considered intrinsically safe.

Low Energy Swing Door Operators



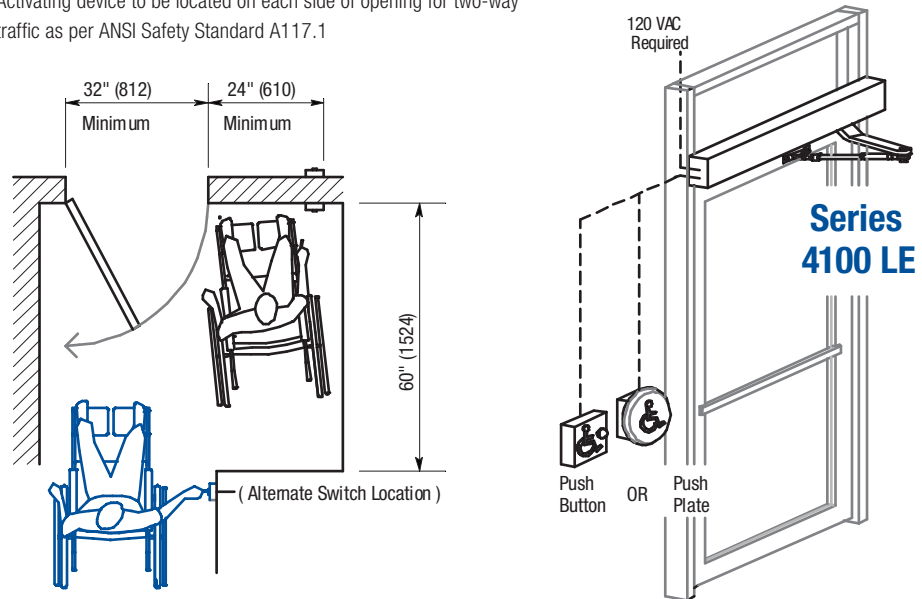
HD-Swing® LE

Series 4000LE Heavy Duty Low Energy

Once the activating switch is pressed, the Series 4000 LE operator slowly opens the door and holds it open for an adjustable, delayed length of time. This creates a barrier-free doorway and gives the pedestrian time to pass through the door before it slowly closes using spring force of less than 15 pounds (67 N.)

Installation and Operation

Activating device to be located on each side of opening for two-way traffic as per ANSI Safety Standard A117.1



Electrical Requirements:

120, 220 VAC, 50 - 60 Hz, single phase, 15 amp service. Current draw - 3.15 amps.

Adjustments:

- Opening speed: 3 to 6 sec. to 80° (Open check)
- Closing speed: 3 to 6 sec. from 90° to 10° (Close Check)
- Time delay: 2 to 30 sec. (ANSI A156.19 requires 5 sec. minimum time delay).

Selection Guide

Standard Single Units

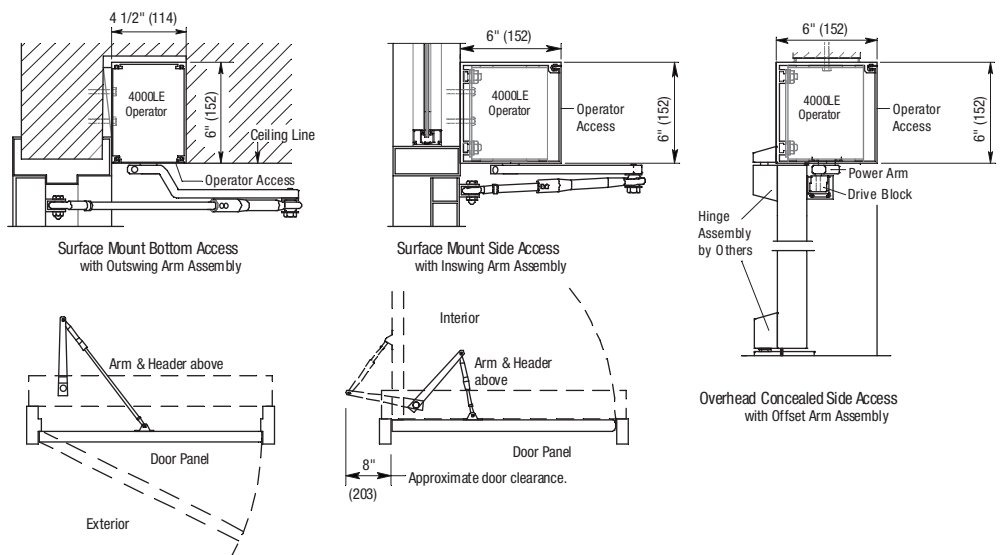
Door Width	Header Width
3'-0" (914)	3'-3" (991)
3'-6" (1067)	3'-9" (1143)

Standard Pair Units

Pair Width	Header Width
5'-0" (1524)	5'-3" (1600)
6'-0" (1829)	6'-3" (1905)
7'-0" (2133)	7'-3" (2210)

Maximum Door Width:
4'-6" (1524)

Architectural Details



Horton Automatics
World Headquarters
4242 Baldwin Boulevard
Corpus Christi, Texas 78405-3399 USA
Phone: 800-531-3111, 361-888-5591
Fax: 361-888-6510
www.hortondoors.com

Horton Automatics, Ltd.
United Kingdom
Unit A, Hortonwood 31
Telford, Shropshire, England TF1-7YZ
Phone: 01952 670169
Fax: 01952 670181

Specify **HORTON**



A Division of
Overhead Door Corporation
A Sanwa Shutter Company