

Profiler- ICU MAX

Smoke-Rated Trackless
Manual Door System



Reliable Performance for Health Code Compliance

Horton Automatics specializes in Automatic Door Solutions that meet stringent hospital and medical facility building codes nationwide. Designed specifically for the critical care environment of ICU/CCU rooms, these multi function doors keep patients in full view when doors are closed. The panels swing out to provide maximum clearance for beds and equipment. The Profiler- ICU MAX exceeds the air leakage requirements of NFPA 105 per UL 1784.

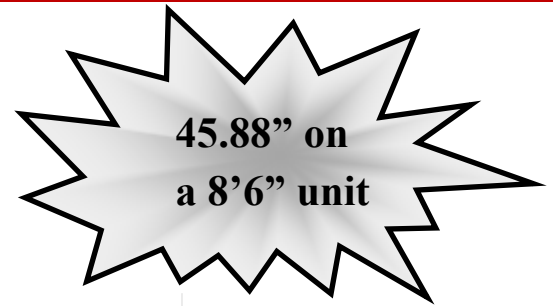
- No power needed to operate door
- Full Breakout Capability
- Trackless Design
- Available in smoke and non-smoke rated units
- Tested to UL1784 / NFPA 105
- Complies with 2014 Guidelines for Healthcare Design



Visit us at hortondoors.com.

Specify Horton and demand AAADM certified installation

AAADM American Association of Automatic Door Manufacturers



Sleek & Stylish

The Profiler—ICU MAX is available in wet paint, powder coat, anodize, stainless steel cladding and anti-microbial finish.



Key Feature:

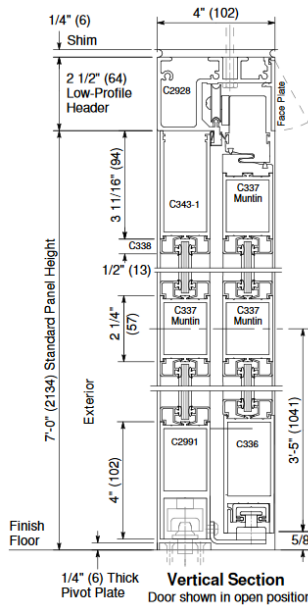
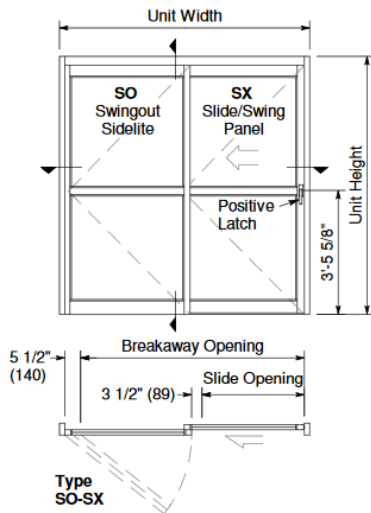
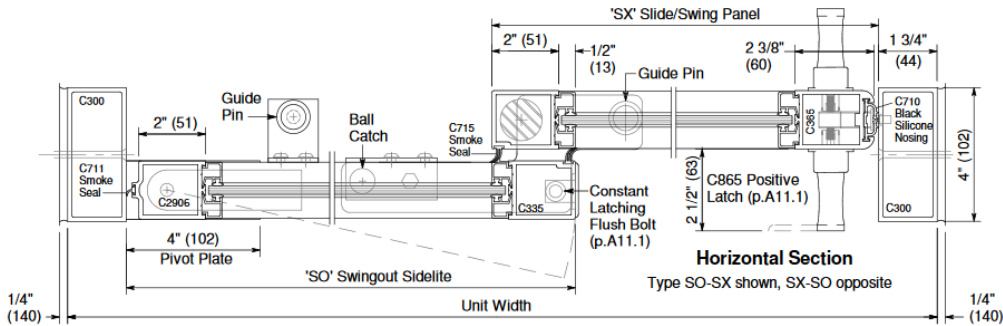
- Trackless
- Positive Latch Handles
- Breakout Panels
- Constant Latching
- Spring Loaded Flush Bolt
- 45.88" slide opening on a 8'6" unit



Profiler- ICU MAX

Smoke-Rated Trackless Manual Door System

Architectural Details



Exterior Elevations and Floor Plans

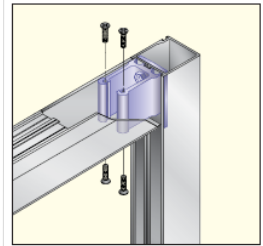
Standard Packages

Unit Width	Slide Opening	Breakout Opening	Slide Panel Width	Sidelite Width	Rough Opening Width
7'-0" (2134)	3'-1" (940)	6'-3" (1905)	3'-7" (1092)	3'-4" (1016)	7'-0 1/2" (2146)
8'-0" (2438)	3'-6 13/16" (1087)	7'-3" (2210)	4'-0 3/4" (1238)	3'-10 3/16" (1173)	8'-0 1/2" (2451)
8'-6" (2591)	3'-9 7/8" (1165)	7'-9" (2362)	4'-3 7/8" (1318)	4'-1 1/8" (1248)	8'-6 1/2" (2604)
9'-0" (2743)	4'-0 7/8" (1241)	8'-3" (2515)	4'-6 7/8" (1394)	4'-4 1/8" (1324)	9'-0 1/2" (2756)
Unit Height: 7'-2 1/2" (2197) Rough Opening Height: 7'-2 3/4" (2203) Glazing: Standard unit prep'd for 1/4" (6) glazing.				Anodized Finish: Clear or Dark Bronze	



Breakout Panels

All panels break out for emergency egress.



Corner Block Design

Adding structural integrity and longevity, all ICU/CCU door panels feature the same rugged corner block construction as Horton automatic sliding doors. This mortise-style corner block construction is far superior to mass produced through-bolt panels.



Horton Automatics
World Headquarters
4242 Baldwin Boulevard
Corpus Christi, Texas 78405-3399 USA
Phone: 800-531-3111, 361-888-5591
Fax: 361-888-6510
www.hortondoors.com

Horton Automatics, Ltd.
United Kingdom
Unit A, Hortonwood 31
Telford, Shropshire, England TF1-7YZ
Phone: 01952 670169
Fax: 01952 670181



A Division of
Overhead Door Corporation
A Sanwa Shutter Company