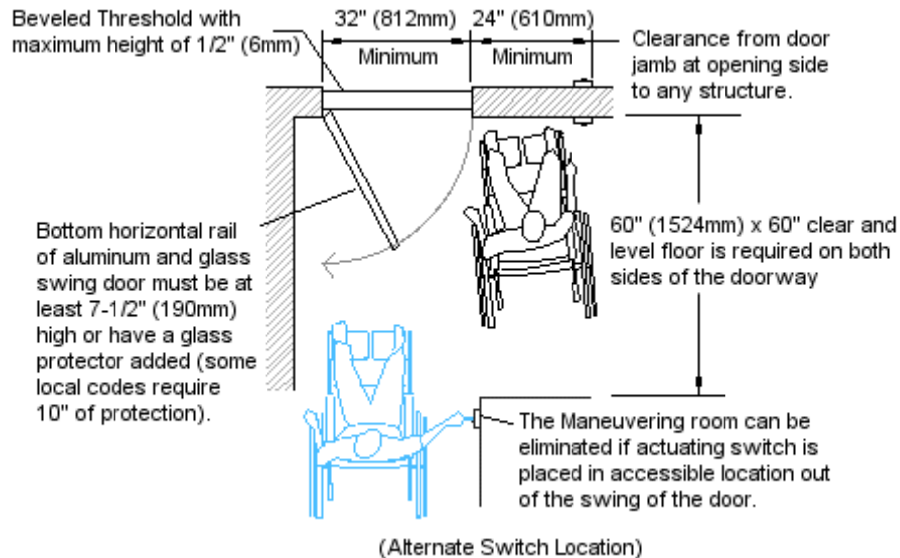


General Design Requirements

Switch location may be selected by the owner; however, the switch must be in view of the door and not directly on the door or frame. See ANSI 117 for further guidelines on switch requirements.



If your entrance maneuvering space is limited, and it seems impossible to meet the ADA requirements, the EasyAccess® or the Series 4000 LE operator is the solution.