



® 4242 Baldwin Boulevard  
 Corpus Christi, Texas  
 USA 78405-3399  
 Tel: 800-531-3111, 361-888-5591  
 Fax: 800-531-3108, 361-888-6510  
 www.hortondoors.com  
 The Automatic Choice

# GENERAL INSTALLATION

## MANUAL DOORS - ICU / CCU

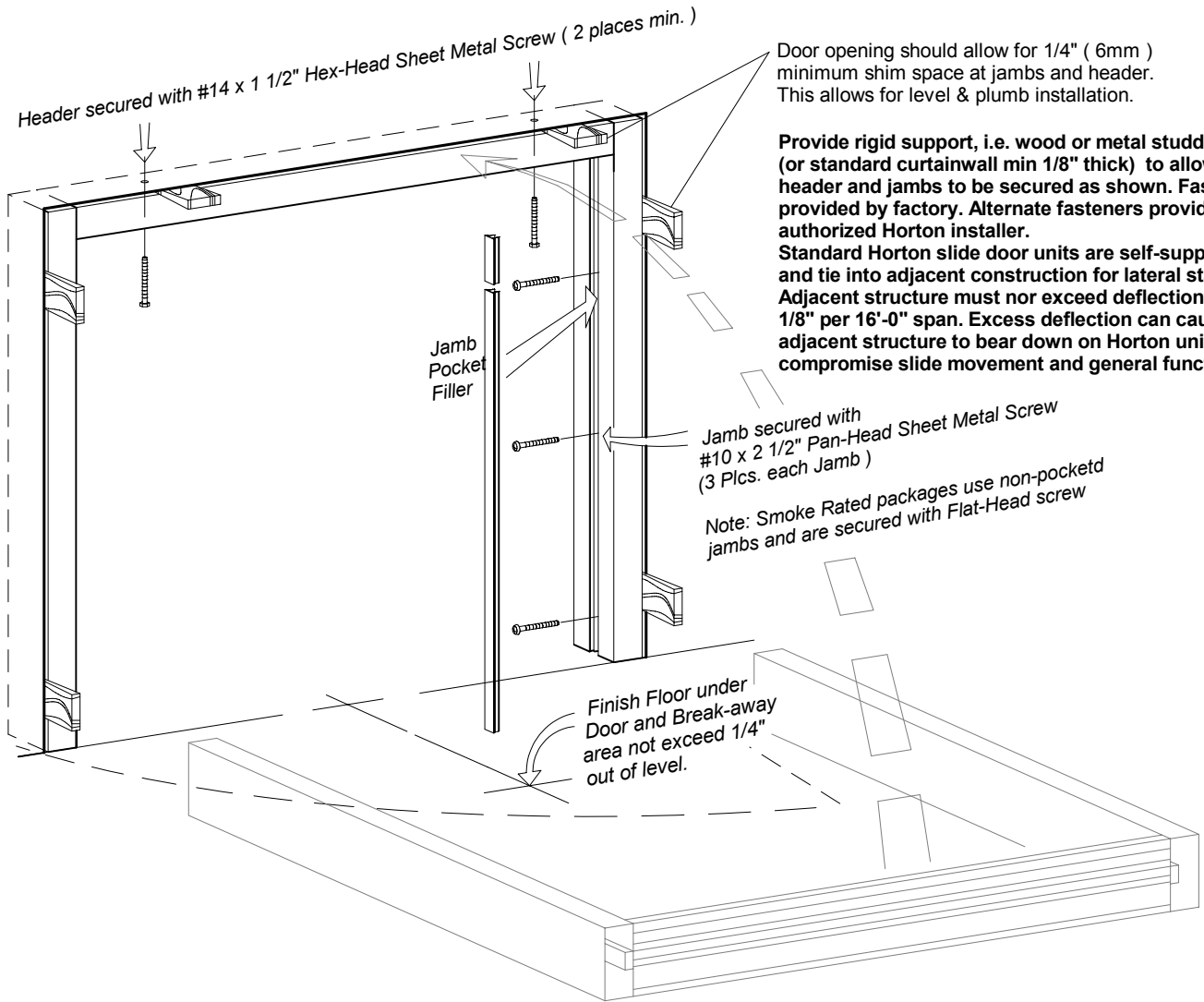
Profiler-ICU®

A9.2

Typical Framing and Bottom Guides

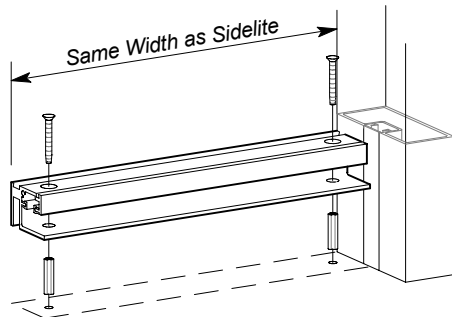
Jan 08

### Typical Perimeter Mount Frame Installation



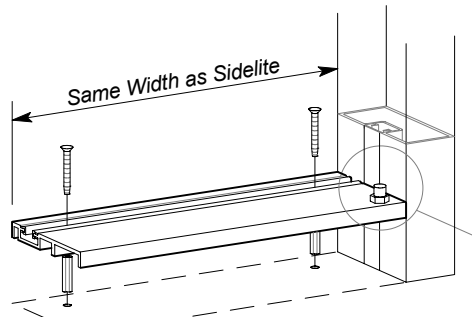
### Typical Bottom Guide and Floor Pivot Installation

Floor pivots and bottom guides will vary with the unit type. The basic types are shown below.

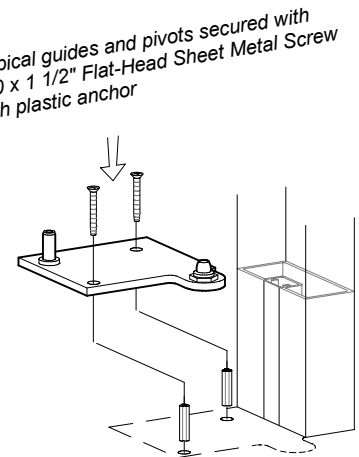


Types 010 & 110

Floor Mounted Bottom Guides



Type 310



Floor Pivot for Trackless Units