



® 4242 Baldwin Boulevard
 Corpus Christi, Texas
 USA 78405-3399
 Tel: 800-531-3111, 361-888-5591
 Fax: 800-531-3108, 361-888-6510
 www.hortondoors.com
 The Automatic Choice

GENERAL INSTALLATION & OPERATION

DRIVE-THRU SERVICE WINDOWS

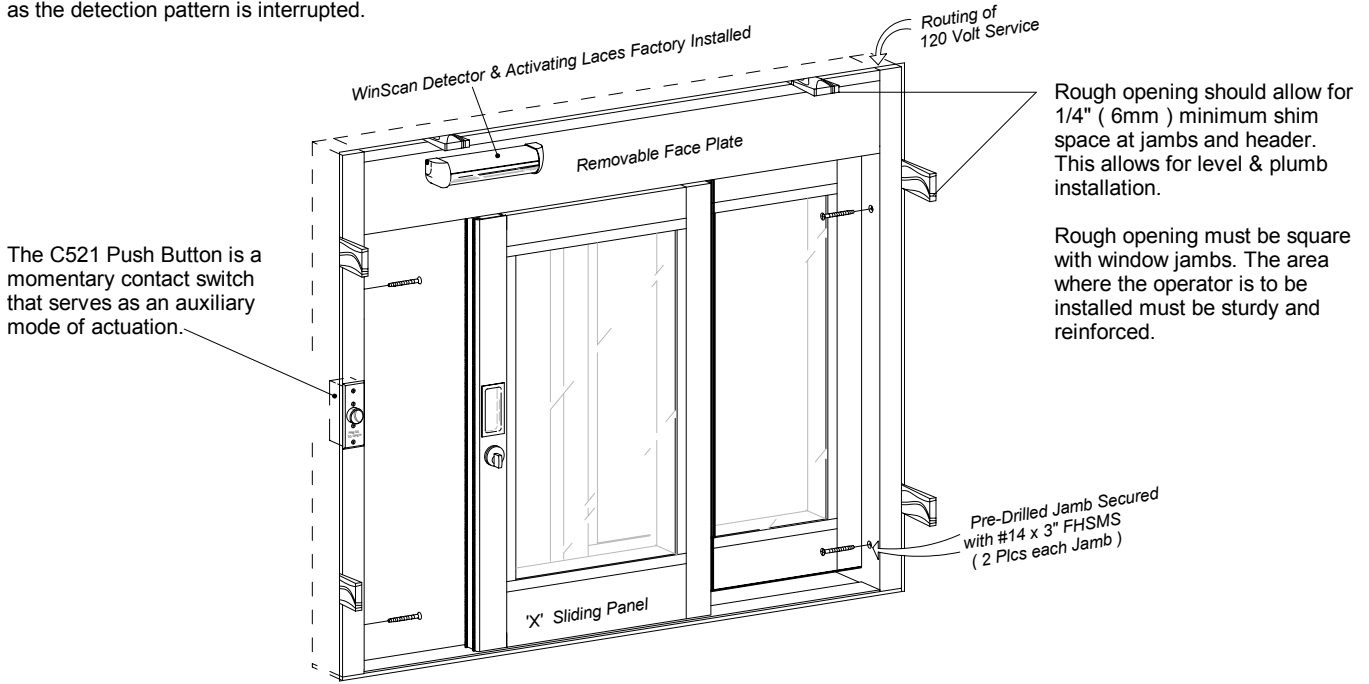
Typical Mounting of Flush & Projected Windows and Typical Presence Sensor with Push Button

D1.1

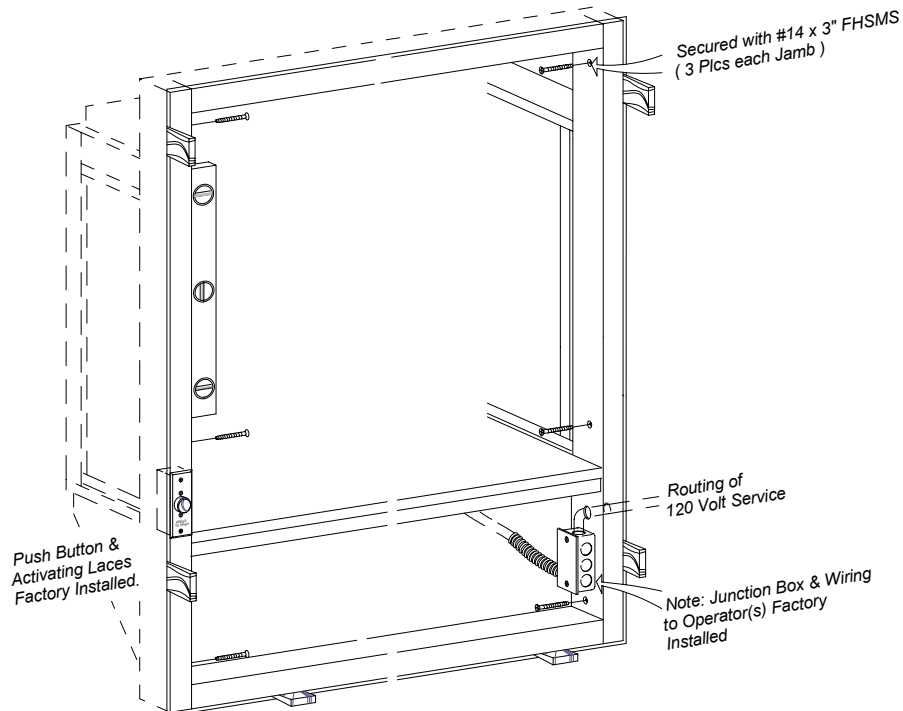
Jan 08

Standard Packages

The C8420 WinScan is a active infrared presence sensor. The window is activated when the attendant is within the detection range and it remains open as long as the detection pattern is interrupted.



Installation for Flush-mount Window Unit (Interior View Shown)



Installation for Projected Window Unit (Interior View Shown)

Horton Automatics reserves the right to alter its product and specifications without notice. Dimensions given in U.S. inches followed by millimeters in parenthesis.