



® 4242 Baldwin Boulevard  
 Corpus Christi, Texas  
 USA 78405-3399  
 Tel: 800-531-3111, 361-888-5591  
 Fax: 800-531-3108, 361-888-6510  
 www.hortondoors.com

The Automatic Choice

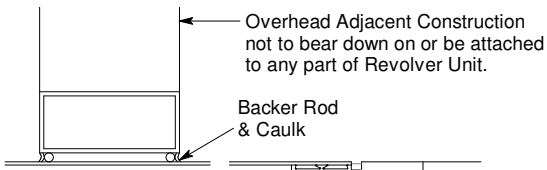
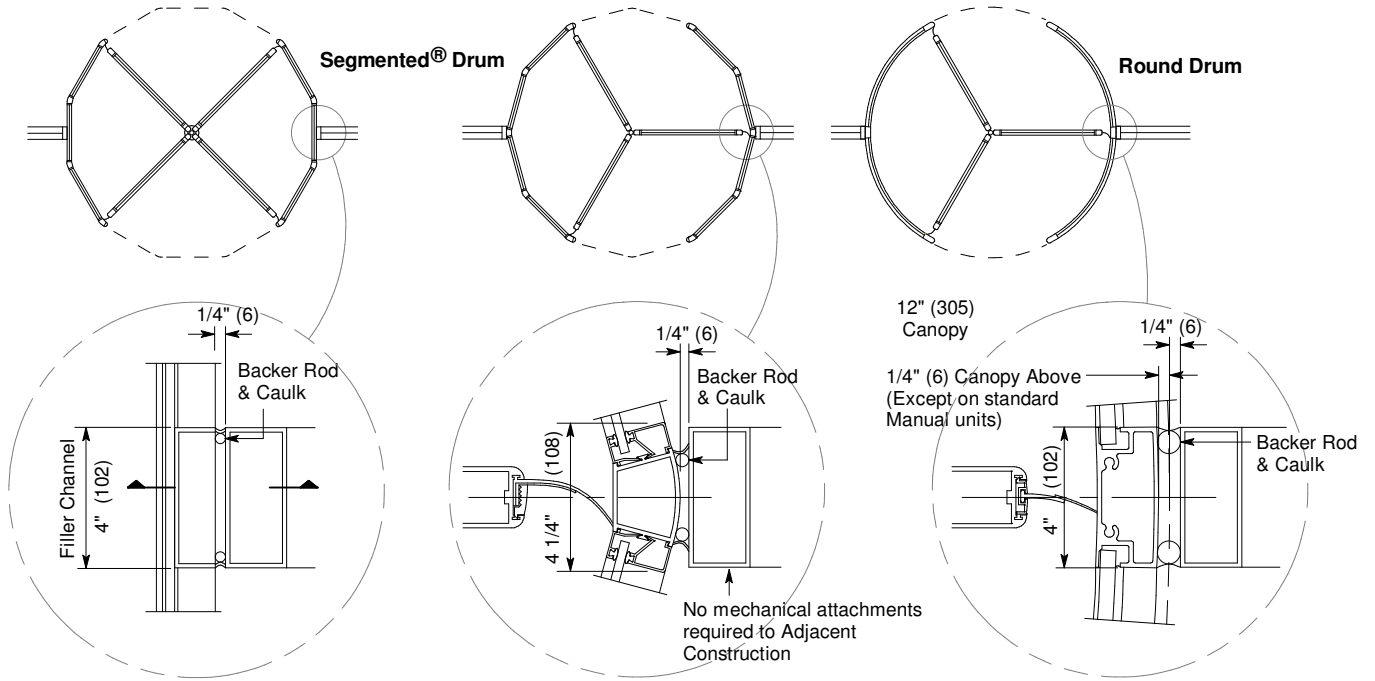
# GENERAL INSTALLATION

## REVOLVING DOOR ENTRANCES

### Typical Drum Interface with Adjacent Construction

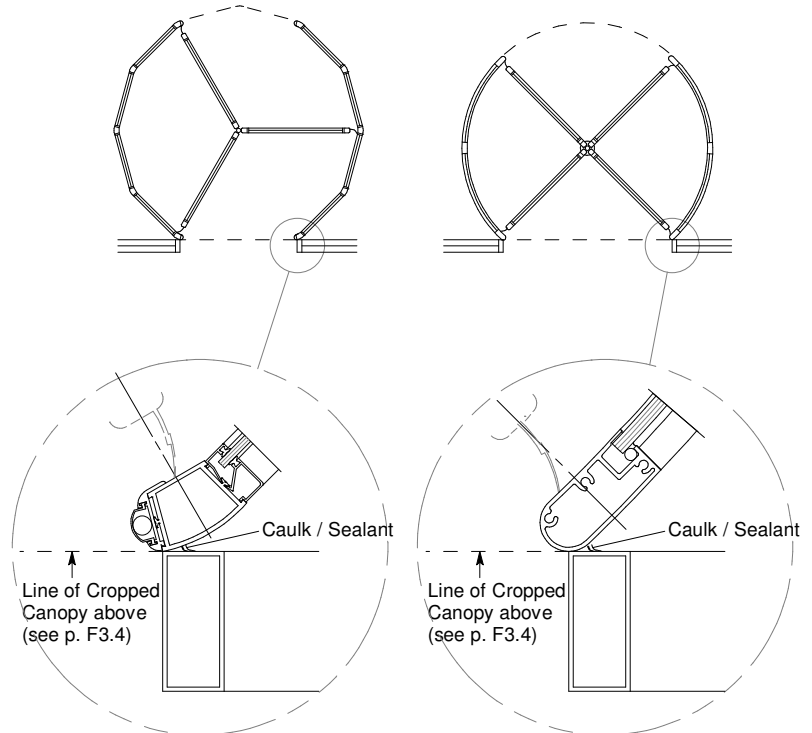
F1.2  
 Jan 15

#### Center Connected



#### Throat Connected

Typically Requires Cropped Canopy



#### Vertical Section 4-Wing Segmented Center Connected

Filler Channel

No mechanical attachments required to Adjacent Construction

Backer Rod & Caulk 1/4" (6)