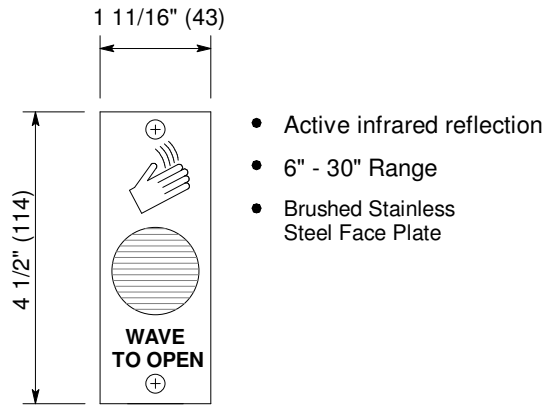
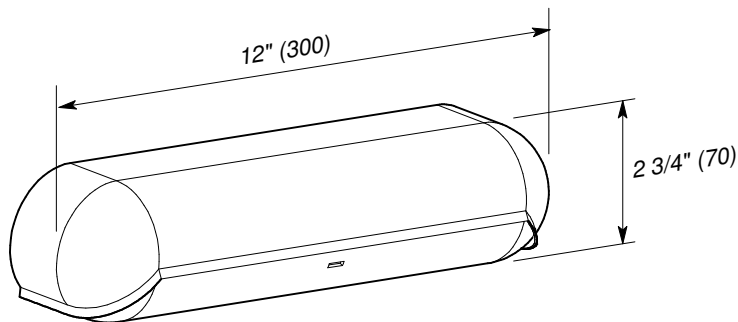


Typical activation mounted on interior and exterior door of opening for operation in each direction.  
Door closes after time delay expires. All devices are 24VAC, class II circuit.

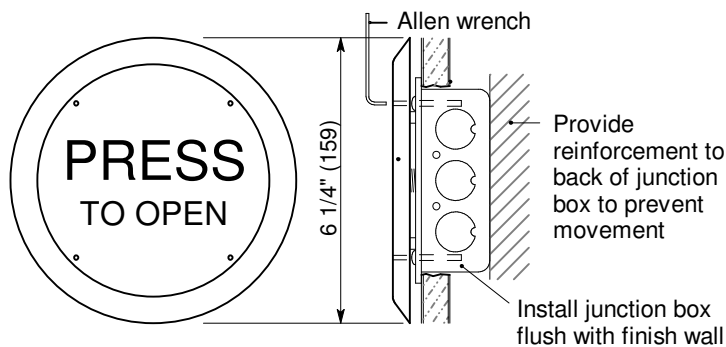


**C8140 Non-Contact Switch**  
Jamb Mounted Touchless Sensor



**C1238 Overhead Mounted Motion Sensor**

- Detection Method: Active infrared reflection
- Width and depth are individually adjustable



**C1260-1 Push Plate Switch**

6 1/4" (159) dia. brushed stainless steel push plate with momentary contact switch. Assembly is wall mounted to standard 4" x 4" x 1 1/2" junction box (not included).