



A Member of

*AAADM*

American Association of Automatic Door Manufacturers

# LOW ENERGY AUTOMATIC SWINGING DOOR

## OWNER'S MANUAL

Distributed by:



### Contents

<b>Section</b>	<b>Page</b>
Caution	2
To Our Customers	2
Service Availability	2
What You Should Know	2
Daily Safety Check	3
General Safety	3
Handicap Code Requirements	4
Limited Warranty	4



## CAUTION

- Failure to follow instructions can result in an improperly adjusted door and can, consequently, cause injury and damage to equipment and property.
- Should the door fail to operate as prescribed in the “Daily Safety Check” of this Owner’s Manual or if a potentially hazardous situation is suspected, the door should be taken out of automatic service until a professional inspection is made and the problem is corrected.  
***DO NOT ATTEMPT TO REPAIR OR ADJUST THE DOOR YOURSELF.***

### To Our Customers

The purpose of this manual is to familiarize you with your automatic door system. It is essential that you know your system and that you recognize the importance of maintaining your door system in compliance with the industry standards for safety as outlined in the ANSI A156.19 - 1997 Standards for Power Assist and Low Energy Power Operated Doors. Your local Horton Automatics service representative will be familiar the aforementioned standards, as well as all applicable local codes and Horton Automatics recommendations for low energy power operated doors. Maintenance and adjustments performed by this service representative/technician will ensure safe and proper operation of the automatic door unit.

### Service Availability

Horton Automatics’ products are manufactured at the plant’s facilities in Corpus Christi, Texas and Telford, England. A worldwide network of authorized independent distributors offers both installation and service. For the Horton Automatics distributor in your area call 1-800-531-3111 or consult the Yellow Pages of your local telephone directory under “Door-Operating Devices.” In Europe, call the plant in Telford, England at 011-44-1952-670169.

### What You Should Know

Your local Horton Automatics distributor should provide you with the following for each door after installation:

- Instructions on the safe operation of the door
- Location of power cut-off switch.
- Necessary warnings not covered in these instructions
- Walk-through example of conducting “Daily Safety Check”
- This M317 Owners Manual with the following items filled in:
  - \_\_\_\_\_ Phone number to call regarding problems or request for service
  - \_\_\_\_\_ Date equipment shipped from Horton plant
  - \_\_\_\_\_ Date equipment placed in service
  - \_\_\_\_\_ Horton Automatics’ invoice number for Warranty reference and repairs
  - \_\_\_\_\_ Equipment type (door series) & Accessories \_\_\_\_\_

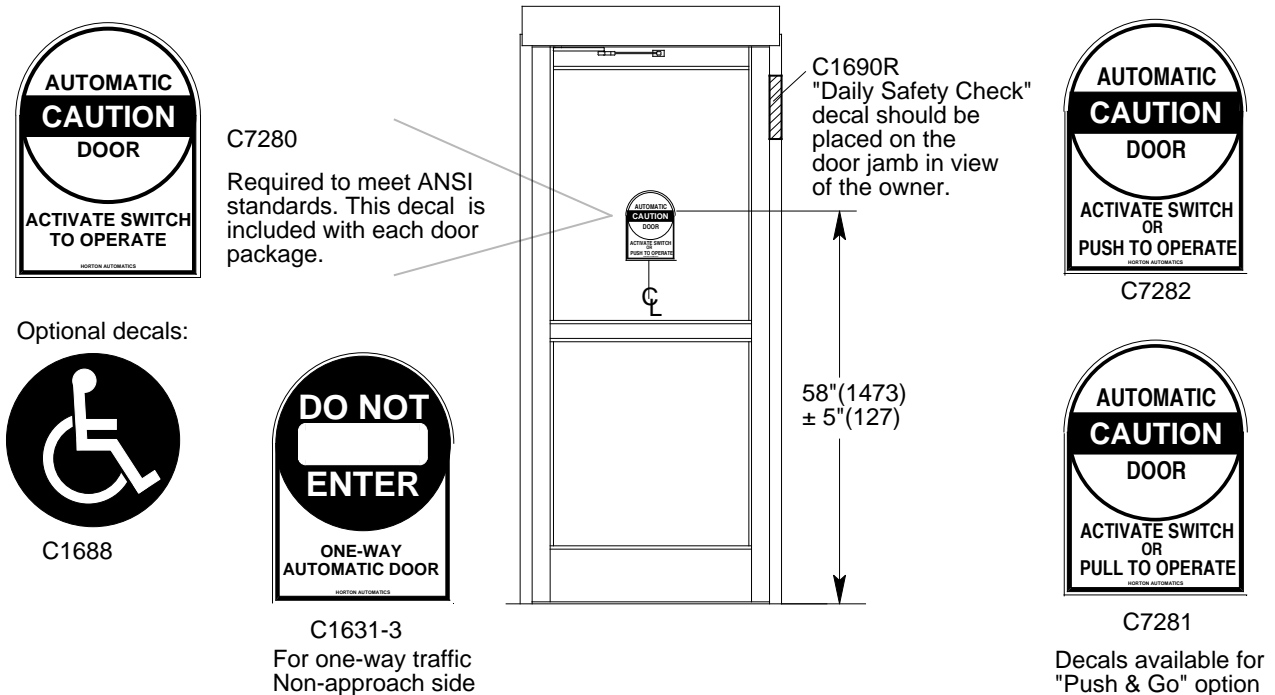
## Daily Safety Check

It is the responsibility of the owner or caretaker of the equipment to perform the following safety checks each day and after any loss of electrical power:

1. Actuate the door. Door should open at a slow, smooth pace (5 seconds minimum), and stop without impact.
2. Door should hold-open for 5 seconds minimum before beginning to close.
3. Door should close at a slow, smooth pace (5 seconds minimum), and stop without impact.
4. Inspect threshold area. It should be clean and clear of loose debris that might trip or cause injury to user. Keep traffic path clear.
5. Inspect door's overall appearance. The safety decals, connecting arms, hardware, and glass should be present and in good condition.

## General Safety

1. **Decals** - Minimum diameter should be 6" (152mm) and must be visible from both sides. Apply as shown below.

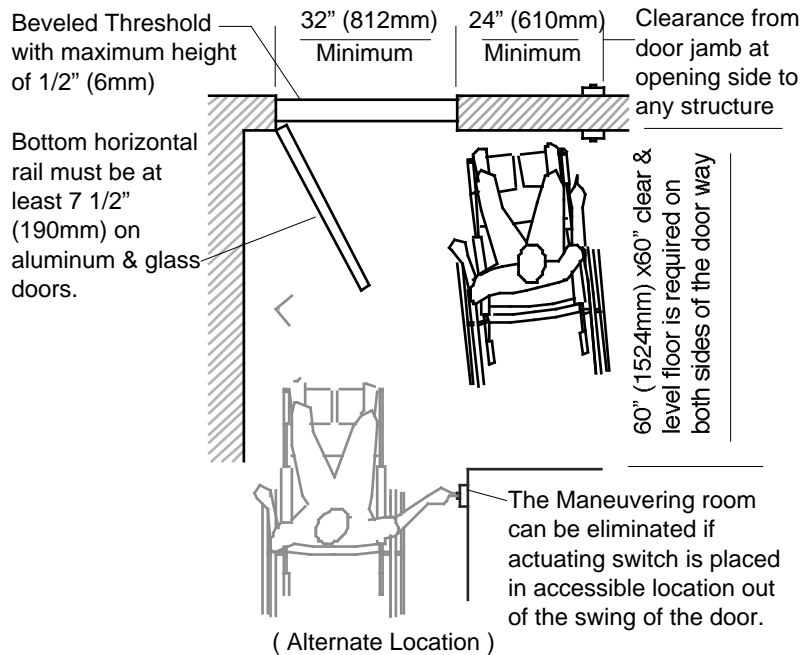


2. **Lock Stile** - With door open, grasp lock stile and attempt to move vertically and horizontally. There should be no looseness in the door pivots or in the connections between door and operator. Check periodically.

## Handicap Code Requirements

Switch location may be selected by the owner, however the switch must be in view of the door and not directly on the door or frame. See ANSI 117 for further guidelines on switch requirements.

*Note: Contact your local Horton Automatics distributor if there appears to be any deviation from these requirements in your door installation (local codes may vary).*



## Limited Warranty

Horton Automatics (Seller) warrants to the Buyer all products they manufacture to be free from defects in material and workmanship, under normal use and service, for twelve months from the date product is placed in operation. The Seller's obligation under this warranty is limited to the repair or replacement at the factory, of any parts which shall be returned to the Seller with transportation charges prepaid and which after examination, prove to be defective. Said warranty shall not apply to such products which shall have been installed, altered, or repaired by any person not expressly authorized in writing for such purpose by the Seller, or subjected to misuse, negligence or accident. The aforesaid warranty is made expressly in lieu of other warranties, expressed or implied and in lieu of any other obligations or liabilities on the part of the Seller and the Seller neither assumes nor authorizes any person to assume for it any other liability or obligations in connection with the sale of such products to the Buyer.

**There is no warranty of merchantability or fitness for any particular purpose, nor is there any warranty, expressed or implied, except as specifically stated above. seller shall not be liable for special or consequential damage, nor for claims of any third party against the buyer.**

Generally, the installing distributor provides a one-year warranty covering the labor and transportation charges for defective parts replacement. If this is the customer's wish, it should be specified.



4242 Baldwin Boulevard  
Corpus Christi, Texas 78405-3399  
Tel: 361-888-5591  
Fax: 361-888-6510  
Toll Free in North America:  
Tel: 1-800-531-3111  
Fax: 1-800-531-3108  
Internet: <http://www.hortondoors.com>

Horton Automatics, Ltd.  
Unit A, Hortonwood 31  
Telford, Shropshire  
England TFI-7YZ  
Tel: 01952 670169  
Fax: 01952 670181  
International Numbers:  
Tel: ++44-1952-670169  
Fax: ++44-1952-670181