



® 4242 Baldwin Boulevard
 Corpus Christi, Texas
 USA 78405-3399
 Tel: 800-531-3111, 361-888-5591
 Fax: 800-531-3108, 361-888-6510
 www.hortondoors.com
 The Automatic Choice

SPECIFICATION DETAILS

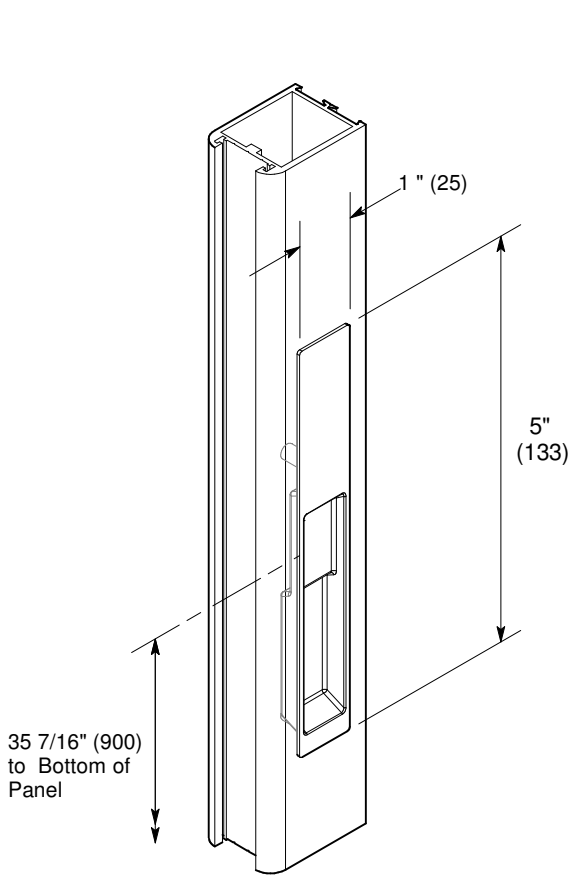
MANUAL SLIDE DOORS - ICU / CCU

Profiler-ICU®

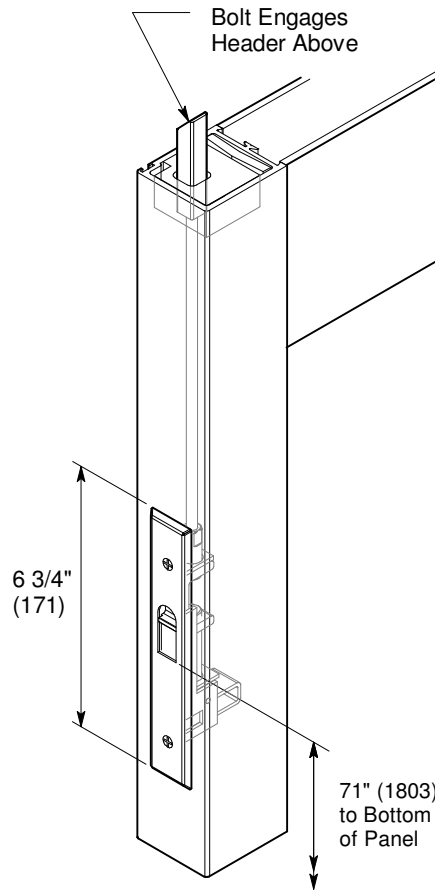
A11.1

Recessed Pull, Flush Bolt and Positive Latch

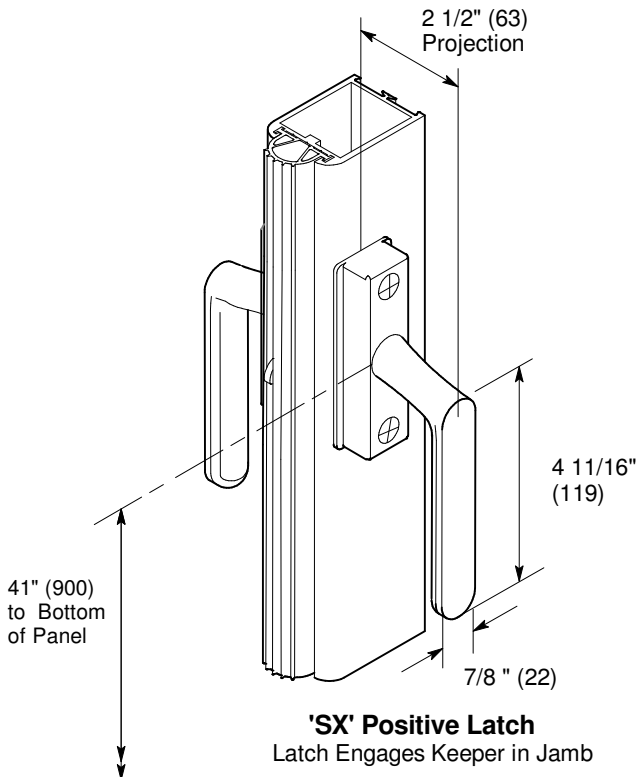
Sept 13



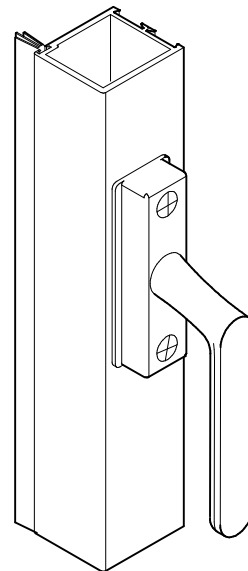
Standard Recessed Pull



Standard Constant Latching Flush Bolt on 'SO' Panel for Trackless Units



'SX' Positive Latch
Latch Engages Keeper in Jamb



'SO' Positive Latch

Note: Positive Latches are standard equipment for Smoke Rated doors but are optional for typical ICU units.

Trackless Type 310 units with positive latch will have reduced net slide openings:

- less 3.125" (79) on singles
- less 4 1/2" (114) on biparts