

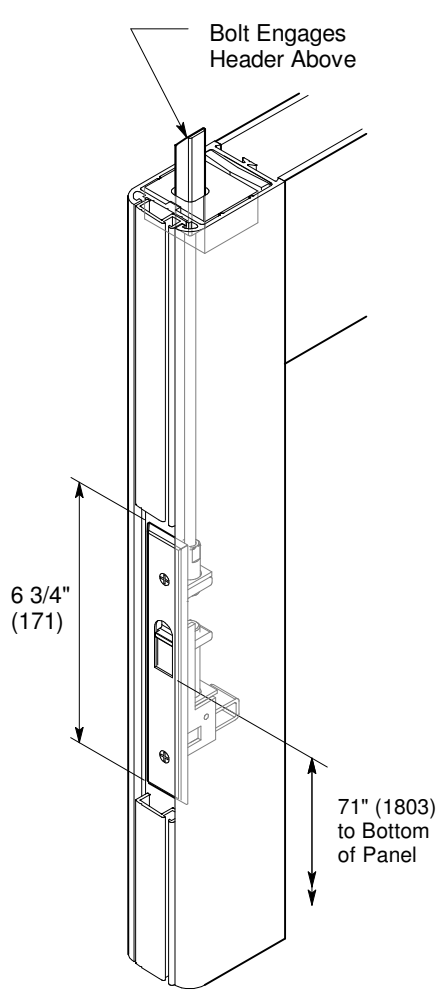


® 4242 Baldwin Boulevard
 Corpus Christi, Texas
 USA 78405-3399
 Tel: 800-531-3111, 361-888-5591
 Fax: 800-531-3108, 361-888-6510
 www.hortondoors.com
 The Automatic Choice

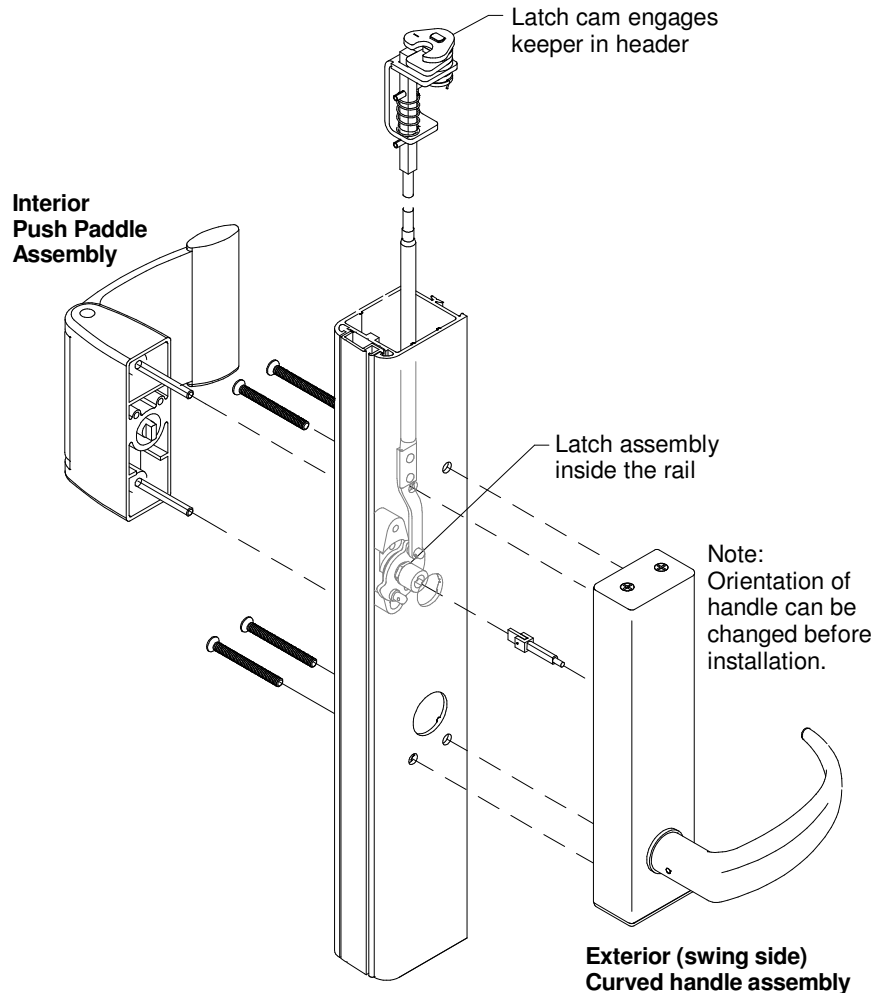
SPECIFICATION DETAILS

MANUAL SLIDE DOORS - ICU / CCU

Positive Latching and Constant Latching Flushbolt for SmokeSwing™ Units A11.2
 Sept 18



Standard Constant Latching Flush Bolt on Inactive Panel (Auxiliary Egress Narrow Panel)



Positive Latching System on Active Panel