



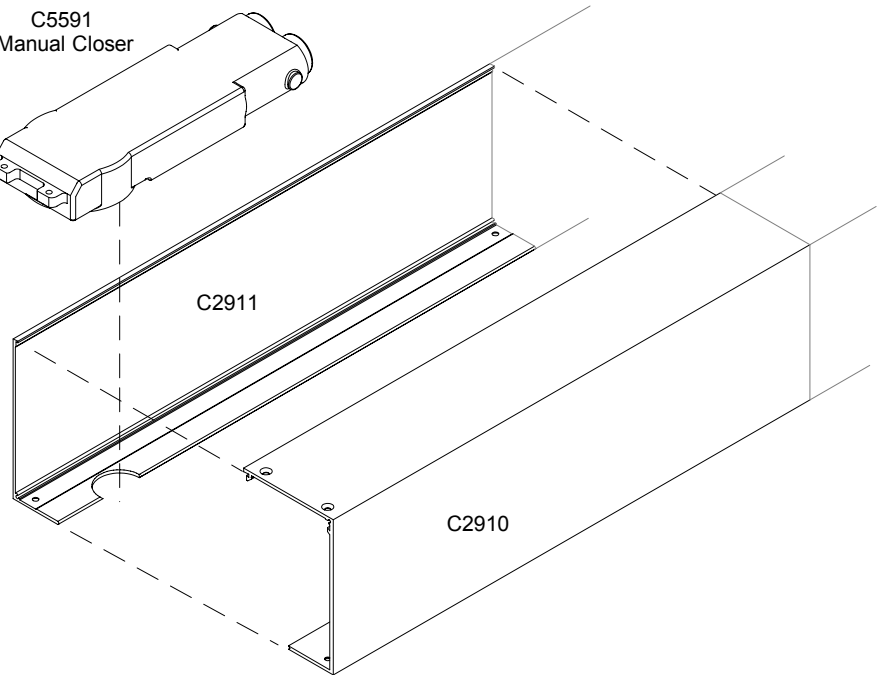
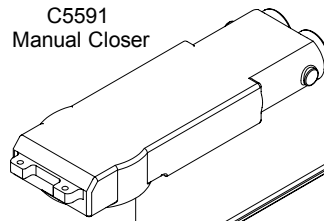
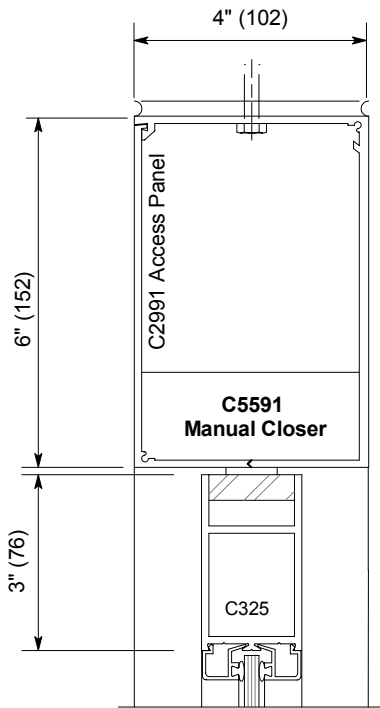
4242 Baldwin Boulevard
 Corpus Christi, Texas
 USA 78405-3399
 Tel: 800-531-3111, 361-888-5591
 Fax: 800-531-3108, 361-888-6510
 www.hortondoors.com
 The Automatic Choice

SPECIFICATION DETAILS

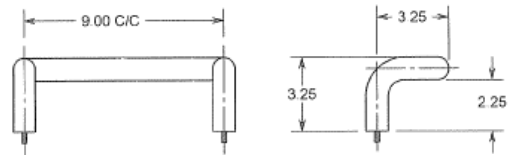
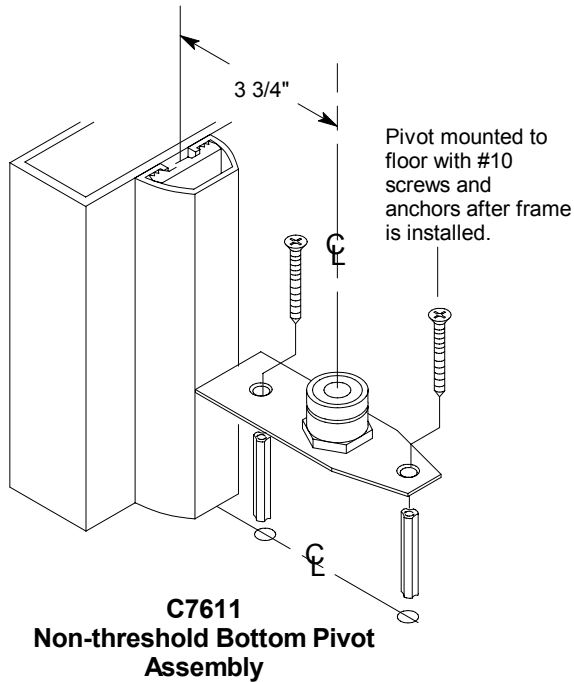
MANUAL SLIDE DOORS - ICU / CCU

Standard Bottom Pivot and Optional 6" Header
 and Pull Handle for ICU Bi-Swing™ Units

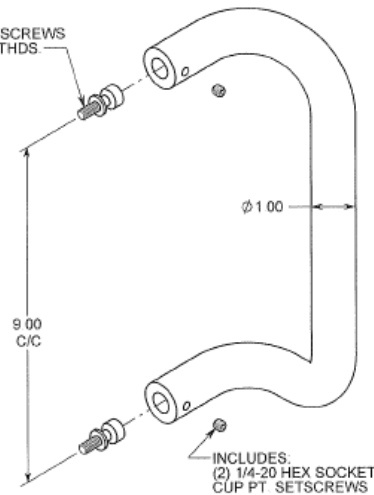
A11.3
 May 10



Optional 6" Header for Manual Swing Door



INCLUDES:
 (2) SPCL MNTG SCREWS
 1/4-20UNC x 1/2 THDS.



C5592-1
Pull Handle