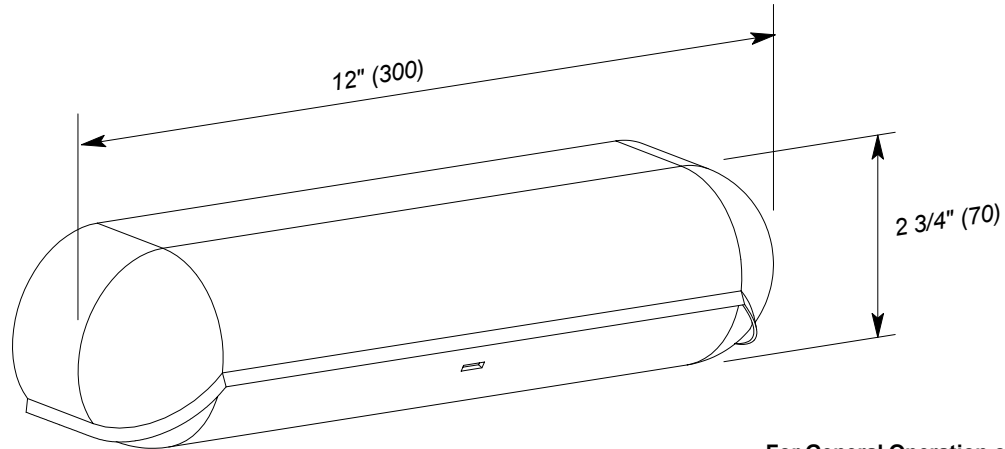


C1238 General Description: Overhead mounted sensor provides active infrared motion sensing and presence detection. Pattern can be adjusted to be extra wide to cover door opening plus sidelites. Can be set for uni-directional detection, saving energy by allowing door to close more quickly for departing traffic. Adjusts for snow and rain.

- Detection Method: Active infrared reflection
- Width and depth are individually adjustable
- Can be used in an exposed outdoor environment
- Visible LED to monitor activation
- Operating voltage: 12-24 VAC, 12-30 VDC
- Current Draw: 250mA
- Relay Holding Time: Approx. 0.5 - 2 sec.
- Respnse Time: less than. 0.3 sec.
- Operating Temperature: -4° F to +131° F (-20° C to +55° C)
- Black Housing Finish



For General Operation of Slide Door Sensor System see page E1.0.

C1827 General Description: Overhead mounted sensor provides K-Band microwave motion sensing and active infrared presence detection. Automatically adjusts from uni-directional detection to bi-directional detection. Adjusts for snow and rain. Available with Remote Control adjustment.

- Motion Detection Method: K-Band Doppler Microwave
- Presense Detection Method: Focused Active infrared
- Width and depth are individually adjustable
- Can be used in an exposed outdoor environment
- Visible LED to monitor activation
- Operating voltage: 12-24 VAC/ VDC
- Transmitter frequency: 24.125 GHz
- Relay Holding Time: 1.5 sec.
- Response Time: less than. 0.3 sec.
- Operating Temperature: -30° F to +131° F (-34.4° C to +55° C)
- Housing Finish: Gray , aluminum or white.

